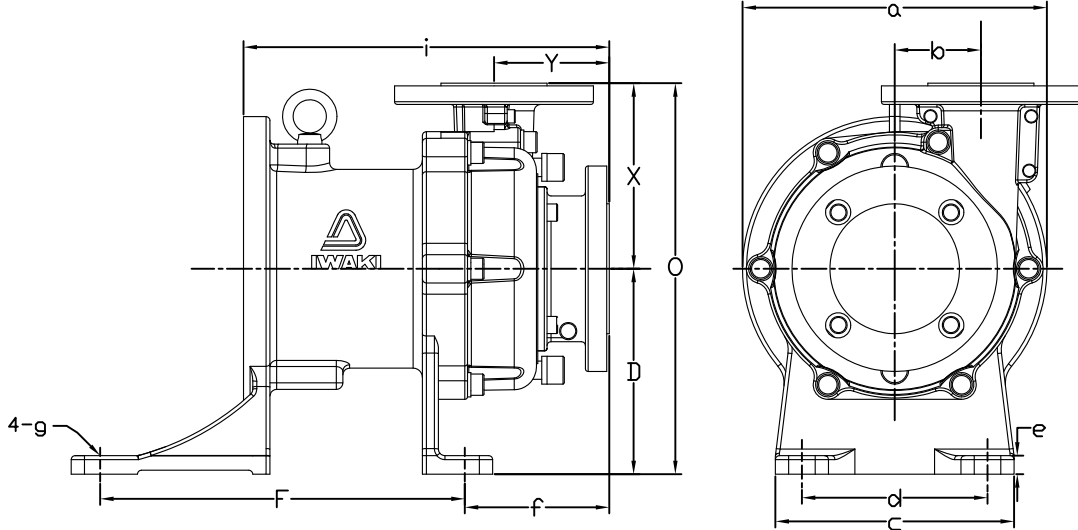






REVISIONS			
REV	DESCRIPTION	DATE	APPROVED

MODEL	HP/ FRAME	PUMP FLANGES (2)	
		SUCTION	DISCHARGE
MXM-543	3/182TC	2"	1.5"



PUMP DIMENSIONS (1)												
a	b	c	d	D	e	f	F	g	i	□	X	Y
9.9	2.6	7.1	5.5	6.1	0.55	4.2	10.8	0.55	10.9	11.6	5.5	3.4

NOTES AND REFERENCES:
 (1) ALL DIMENSIONS IN INCHES. ALL TOLERANCES $\pm .125"$, CONSULT IWAKI AMERICA FOR MORE DETAILS.
 (2) BOLT HOLE LOCATIONS OF SUCTION AND DISCHARGE FLANGES CONFORM TO ANSI B16.5 150 LB STANDARD.
 (3) DRAWN PER 22B403827.

PROPRIETARY THIS DRAWING CONTAINS CONFIDENTIAL INFORMATION PROPRIETARY TO IWAKI AMERICA. IT MUST NOT BE REPRODUCED OR FORWARDED TO OTHERS OR USED IN ANY OTHER WAY, IN WHOLE OR IN PART, UNLESS AUTHORIZED IN WRITING BY IWAKI AMERICA.		TOLERANCES DIMENSIONS IN INCHES (MM) UNLESS OTHERWISE NOTED X = .050 .XX = .010 .XXX = .005		 www.IwakiAmerica.com		5 Boynton Rd. Hopping Brook Park Holliston, MA 01746 (508) 429-1440	
		MATERIAL DUCTILE IRON					
BY JTS	DATE 1/23/2008	SIZE A	DWG NO. IALT-00086	DESCRIPTION MXM-543 MAG DRIVE PUMP		REV A	
APPROVED PB	DATE 1/23/2008	SCALE: FULL		 THIRD ANGLE PROJECTION	SHEET: 1 OF 1		

