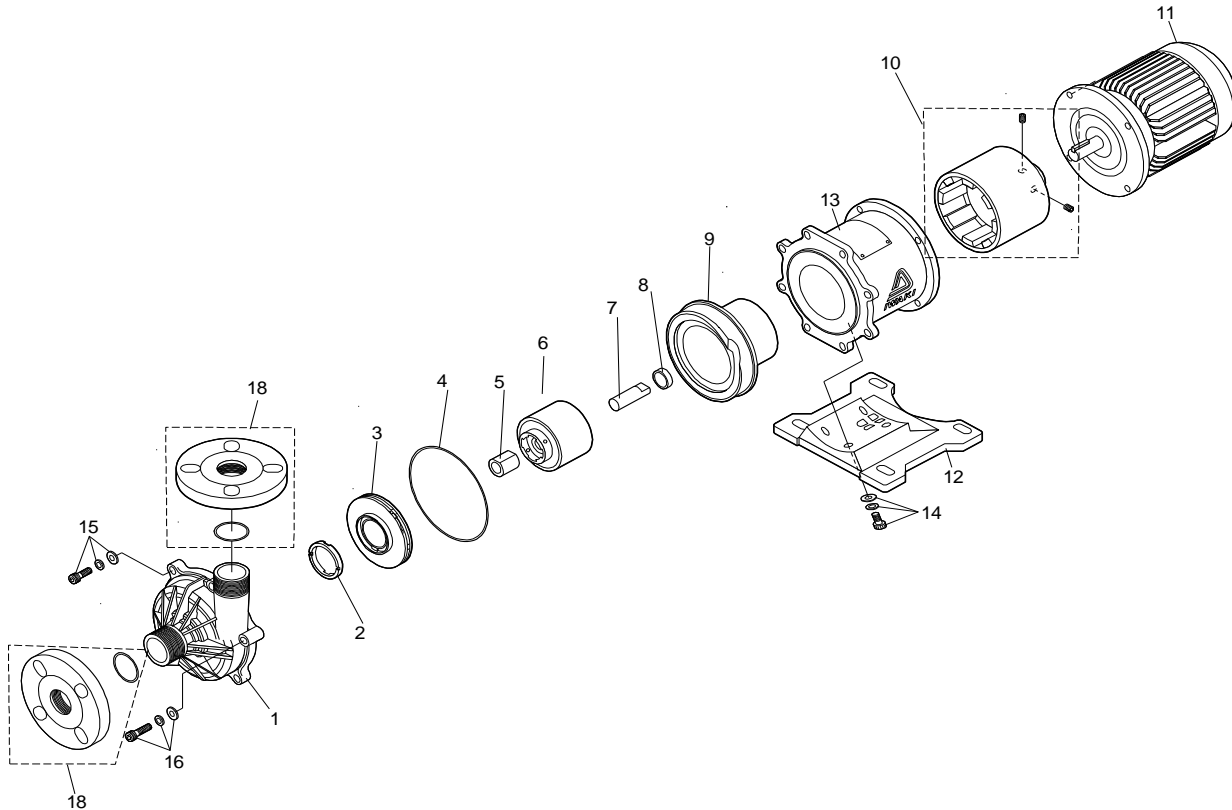


MX (F) 250-401 Parts List



SHADED ITEMS ARE RECOMMENDED SPARE PARTS

Item #	Part Number	Description
Item 1 Front Casing	MX0396	Casing, Front, MX-250/251, GFRPP/Alumina Ceramic
	MX0401	Casing, Front, MX-400, GFRPP/Alumina Ceramic
	MX0403	Casing, Front, MX-401, GFRPP/Alumina Ceramic
	MX0409	Casing, Front, MX-F250/CF/RF/AF, CFRETFE/Al. Ceramic
	MX0410	Casing, Front, MX-F250/KK, CFRETFE/SiC
	MX0411	Casing, Front, MX-F400CF/RF/AF, CFRETFE/Al. Ceramic
	MX0412	Casing, Front, MX-F400KK, CFRETFE/SiC
	MX0413	Casing, Front, MX-F401CF/RF/AF, CFRETFE/Al. Ceramic
	MX0414	Casing, Front, MX-F401KK, CFRETFE/SiC
Item 2 Mouth Ring	MX0208	Mouth Ring, MX-(F)250/251/400/401PTFE
	MX0472	Mouth Ring, MX-F250/400/401KK, SiC
Item 3 Impeller specify impeller trim when placing order	MX0210	Impeller, MX-250__6, GFRPP
	MX0226	Impeller, MX-251__6, GFRPP
	MX0237	Impeller, MX-400__6, GFRPP
	MX0236	Impeller, MX-400__7, GFRPP
	MX0248	Impeller, MX-401__6, GFRPP
	MX0247	Impeller, MX-401__7, GFRPP



Effective: February 1, 2005 Supersedes: August 11, 2003	PAGE: SPARES-2 MX250/401
--	--

MX (F) 250-401 Parts List

Item #	Part Number	Description
Item 3 Impeller	MX0474	Impeller, MX-F250X, CFRETFE
	MX0695	Impeller, MX-F400V, CFRETFE
	MX0480	Impeller, MX-F400X, CFRETFE
	MX0706	Impeller, MX-F401V, CFRETFE
	MX0482	Impeller, MX-F401X, CFRETFE
Item 4 Casing O-Ring	MX0116	O-ring, Casing, MX-(F)250/251/401,FKM
	MX0129	O-ring, Casing, MX-(F)400, FKM
	MX0207	O-ring, Casing, MX-(F)250/251/401, EPDM
	MX0235	O-ring, Casing, MX-(F)400, EPDM
	MX0772	O-ring, Casing, MX-(F)250/251/401, Aflas®
	MX0774	O-ring, Casing, MX-(F)400, Aflas®
Item 5&6 Magnet Capsule Assembly w/Bearing	MX0113	Magnet Cap Asm, MX-250/400CV/CE, GFRPP/Carbon
	MX0114	Magnet Cap Asm, MX-250/400RV/RE, GFRPP/PTFE
	MX0115	Magnet Cap Asm, MX-250/400AV/AE,GFRPP/Al. Ceramic
	MX0122	Magnet Cap Asm, MX-401/251CV/CE, GFRPP/Carbon
	MX0123	Magnet Cap Asm, MX-401/251RV/RE, GFRPP/PTFE
	MX0124	Magnet Cap Asm, MX-401/251AV/AE, GFRPP/Al. Ceramic
	MX0424	Magnet Cap Asm, MX-F250/400CF, CFRETFE/Carbon
	MX0425	Magnet Cap Asm, MX-F250/400RF, CFRETFE/PTFE
	MX0426	Magnet Cap Asm, MX-F250/400KK, CFRETFE/SiC
	MX9002	Magnet Cap Asm, MX-F250/400AF, CFRETFE/Al. Ceramic
	MX0443	Magnet Cap Asm, MX-F401CF, CFRETFE/Carbon
	MX0444	Magnet Cap Asm, MX-F401RF, CFRETFE/PTFE
	MX9003	Magnet Cap Asm, MX-F401AF, CFRETFE/Al. Ceramic
	MX0445	Magnet Cap Asm, MX-F401KK, CFRETFE/SiC
Item 7 Shaft	MX0118	Shaft, MX-250/251/400/401/CF/RF, Alumina Ceramic
	MX0427	Shaft, MX-F250/400/401KK, SiC
Item 8 Rear Thrust	MX0119	Thrust Collar, Rear, MX-250/400/401CV/RV/AV,CFRPPS
	MX0428	Thrust Collar, Rear, MX-F250/400/401,CFRETFE
Item 9 Rear Casing	MX0110	Casing, Rear, MX-250/251, GFRPP
	MX0126	Casing, Rear, MX-400, GFRPP
	MX0132	Casing, Rear, MX-401, GFRPP
	MX0419	Casing, Rear, MX-F250, CFRETFE
	MX0431	Casing, Rear, MX-F400, CFRETFE
	MX0438	Casing, Rear, MX-F401, CFRETFE
Item 10 Drive Magnet	MX0399	Magnet Asm, Drive, MX-(F)250/400, NEMA, Ferrite
	MX0399	Magnet Asm, Drive, MX-(F)250/400, NEMA, Ferrite
	MX0400	Magnet Asm, Drive, MX-(F)251/401, NEMA, Ferrite



Effective: February 1, 2005 Supersedes: August 11, 2003	PAGE: SPARES-3 MX250/401
--	--

MX (F) 250-401 Parts List

Item #	Part Number	Description
Item 12 Baseplate	MX0216	Base, MX-(F)250/251/401, GFRPP
	MX0239	Base, MX-(F)400, GFRPP
Item 13 Motor Adaptor	MX0398	Adapter, Motor, MX-(F)250/251/401, DCI
	MX0402	Adapter, Motor, MX-(F)400, DCI
Item 14	MX0219	Hex.head bolt w/PW,SW,MX(F)250-403(for base),M8x20
Item 15 Casing Bolt	MX0218	Hex. Head Cap bolt, w/PW,SW, MX-(F)250, M8X35, Req'd (6)
	MX0241	Hex. Head Cap bolt, w/PW,SW, MX-(F)400, M8X30, Req'd (4)
	MX0218	Hex. Head Cap bolt, w/PW,SW, MX-251, M8X35, Req'd (6)
	MX0240	Hex. Head Cap bolt, w/PW,SW, MX-(F)401, M8X40, Req'd (6)
Item 16 Long Casing Bolt	MX0217	Hex. Head Cap bolt, w/PW,SW, MX-(F)250, M8X50, Req'd (2)
	MX0240	Hex. Head Cap bolt, w/PW,SW, MX-(F)400, M8X40, Req'd (2)
	MX0217	Hex. Head Cap bolt, w/PW,SW, MX-251, M8X50, Req'd (2)
	MX0217	Hex. Head Cap bolt, w/PW,SW, MX-(F)401, M8X50, Req'd (2)