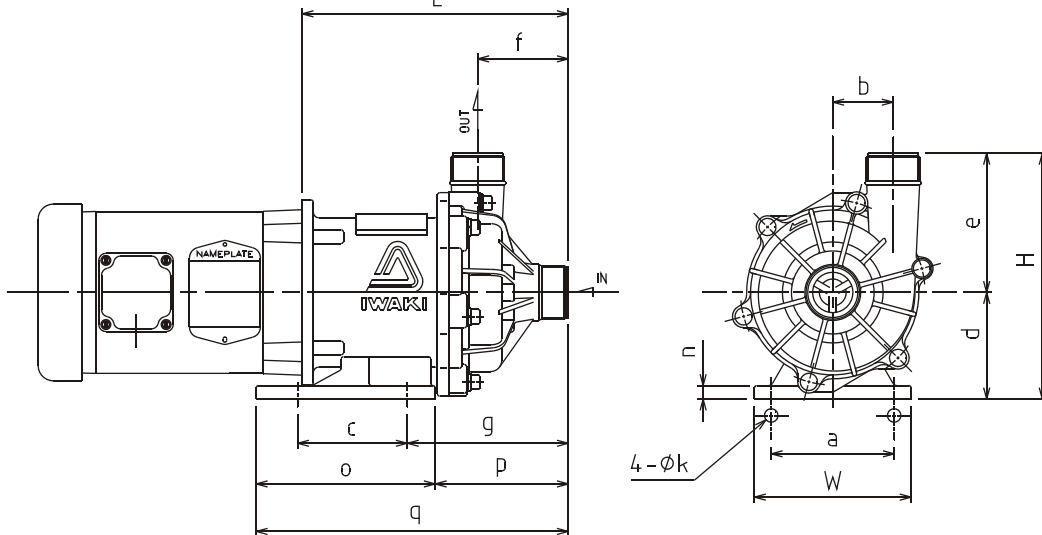


Model	MX-400		
Mark	AV (AE)	CV(CE)	RV (RE)
1 Front Casing	GFRPP		
2 Impeller	GFRPP		
3 Rear Casing	GFRPP		
4 Magnet capsule	PP		
5 O-ring	FKM ¹		
6 Spindle	Alumina Ceramic		
7 Bearing	Alumina Ceramic	Carbon	PTFE
8 Rear thrust	CFRPPS		
9 Mouth ring	PTFE		
10 Thrust/Liner ring	Alumina Ceramic		

1 EPDM and AFLAS[®] o-ring also available



Dimensions (in inches)

a	b	c	d	e	f	g	k	n	o	p	q	W	H	L
4.33	2.13	3.86	3.74	4.88	3.19	5.67	0.47	0.47	6.30	4.69	10.98	5.51	8.62	9.37

Specifications

Suction x Discharge	Max Discharge pressure	Max Flow	Specific gravity	Weight (less motor)
1.5" x 1.5"	6=38 FT. 7=43 FT.	70 GPM	1.2	13.7 lbs

MX-400 .75 HP

- Engineered to meet the most severe operating conditions.
- When fitted with a carbon bearing, the MX will allow for brief periods of dry running.
- Patented Self-radiating structure – Heat dispersion holes force the liquid to circulate around the spindle and bearing.

