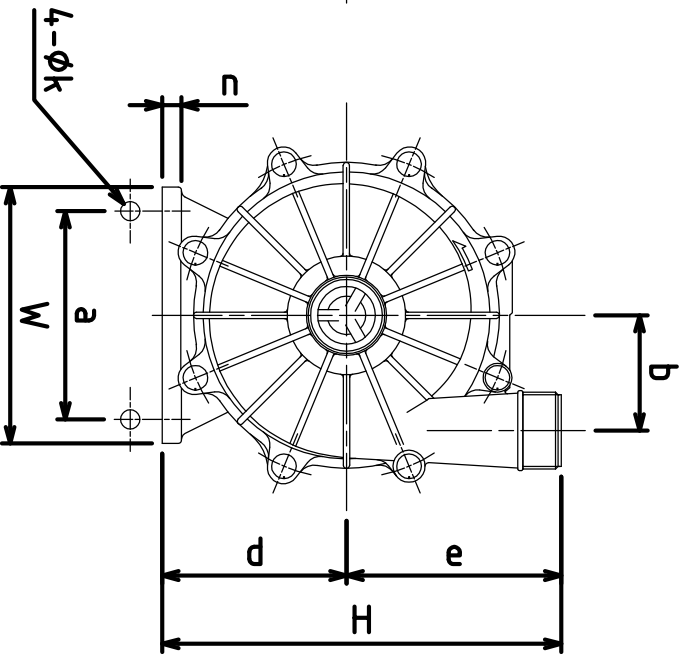
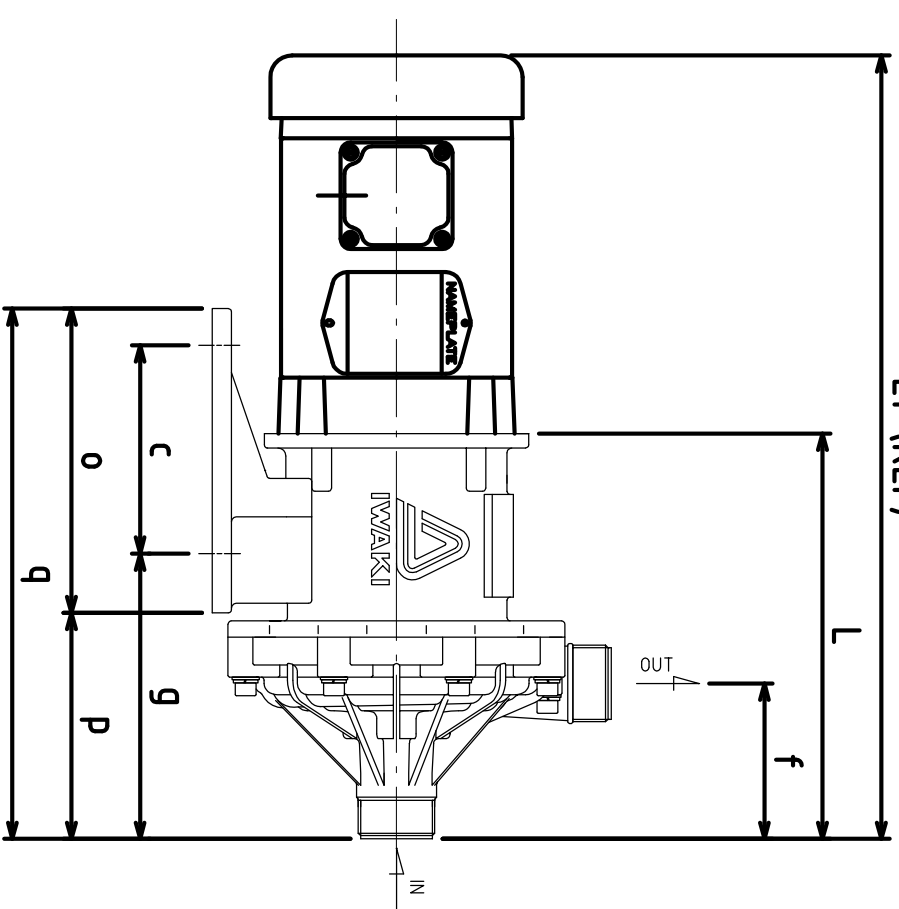


PART OR DRAWING NO.
IF204,99

REV.
A



- NOTES:
- 1) SHAPE OF PRODUCT ON DRAWING MAY DIFFER FROM ACTUAL PRODUCT ON SOME POINTS.
 - 2) SOME DIMENSIONS MAY VARY.
 - 3) FLANGES AVAILABLE UPON REQUEST.
 - 4) PUMP DRAWN FROM 22B402550.

MODEL	SUCTION	DISCHARGE
MX-(F)401	1.5" MNPT	1.5" MNPT

MODEL	HP/FRAME	W	H	L	Lt (REF)
MX-(F)401	1 / 56C	6.30	9.81	9.96	19.25
MX-(F)401	1.5 / 56C	6.30	9.81	9.96	19.87

MODEL	a	b	c	d	e	f	g	k	n	o	p	q
MX-(F)401	5.12	2.83	5.12	4.53	5.28	3.82	7.01	.47	.47	7.48	5.55	13.03

ECO#	DESCRIPTION	DATE	REV. LTR.

MATERIAL	DESCRIPTION
GFRPP (CFRTPFE)	

CJC	DAY	NO.	YR.	RELEASED	SHEET NO.
15	12	03			

Iwaki America Corp.
5 Boynton Rd.
Hopping Brook Park
Holliston, MA 01746
www.IwakiAmerica.com (508)429-1440

TITLE
MX-(F)401, 1
1/1.5 HP / 56C FRAME

REV.
A