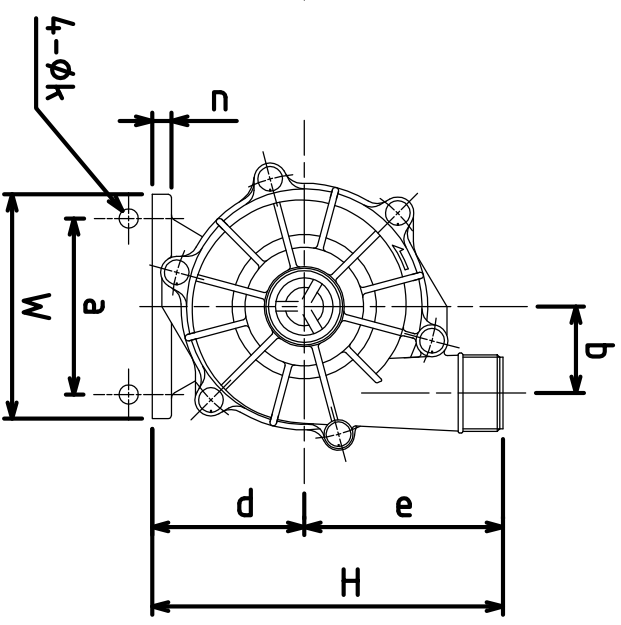
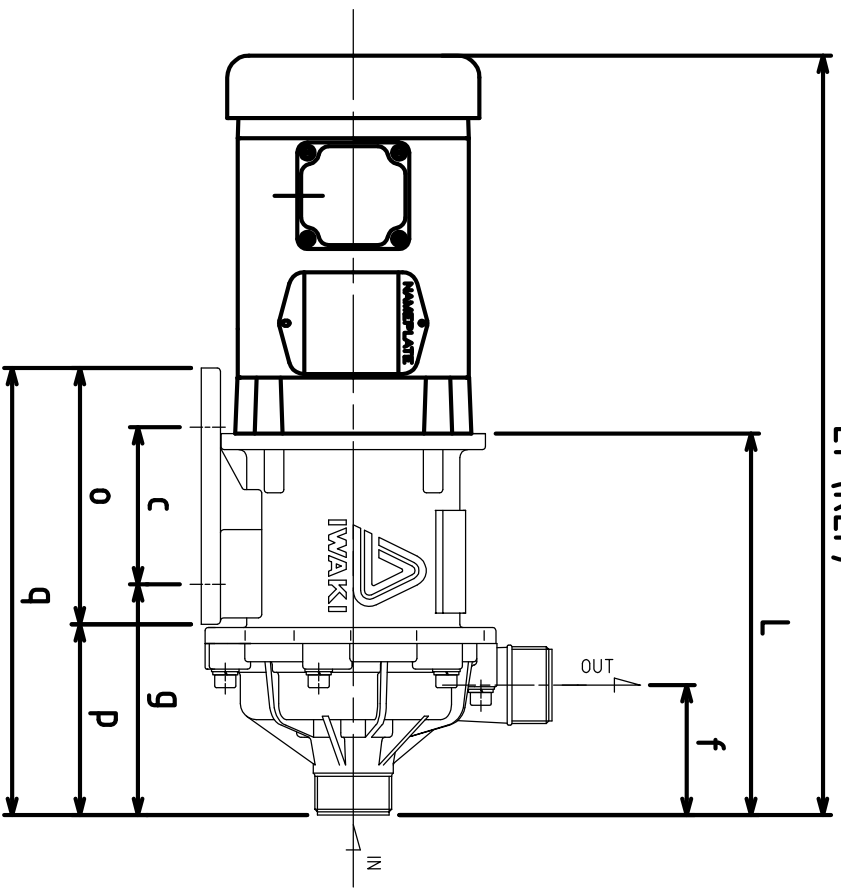


PART OR DRAWING NO.
IF20497

REV.
A



- NOTES:
- 1) SHAPE OF PRODUCT ON DRAWING MAY DIFFER FROM ACTUAL PRODUCT ON SOME POINTS.
 - 2) SOME DIMENSIONS MAY VARY.
 - 3) FLANGES AVAILABLE UPON REQUEST.
 - 4) PUMP DRAWN FROM 22B402549.

| MODEL | SUCTION | DISCHARGE |
|-----------|-----------|-----------|
| MX-(F)400 | 1.5" MNPT | 1.5" MNPT |

| MODEL | HP/FRAME | W | H | L | Lt (REF) |
|-----------|--------------|------|------|------|----------|
| MX-(F)400 | .5/.75 / 56C | 5.51 | 8.62 | 9.37 | 18.66 |

| MODEL | a | b | c | d | e | f | g | k | n | o | p | q |
|-----------|------|------|------|------|------|------|------|-----|-----|------|------|-------|
| MX-(F)400 | 4.33 | 2.13 | 3.86 | 3.74 | 4.88 | 3.19 | 5.67 | .47 | .47 | 6.30 | 4.69 | 10.98 |

| ECO# | DESCRIPTION | DATE | REV. LTR. |
|------|-------------|------|-----------|
| | | | |

| MATERIAL | DESCRIPTION | DATE | REV. LTR. |
|------------------|-------------|------|-----------|
| GFRPP (CFRETFPE) | | | |



Iwaki America Corp.
5 Boynton Rd.
Hopping Brook Park
Holliston, MA 01746
www.IwakiAmerica.com (508)429-1440

| TITLE | REV. |
|------------------------------------|------|
| MX-(F)400 .5/.75 HP / 56C FRAME | A |