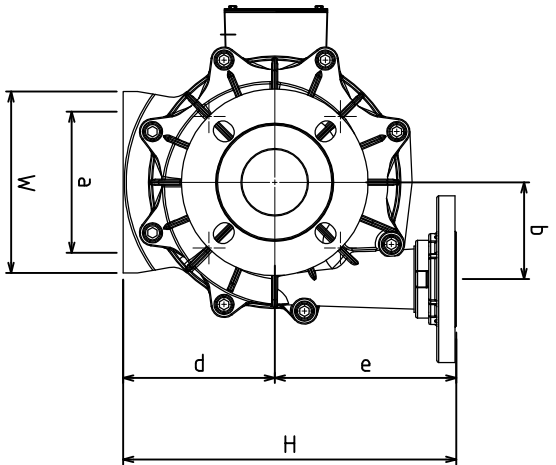
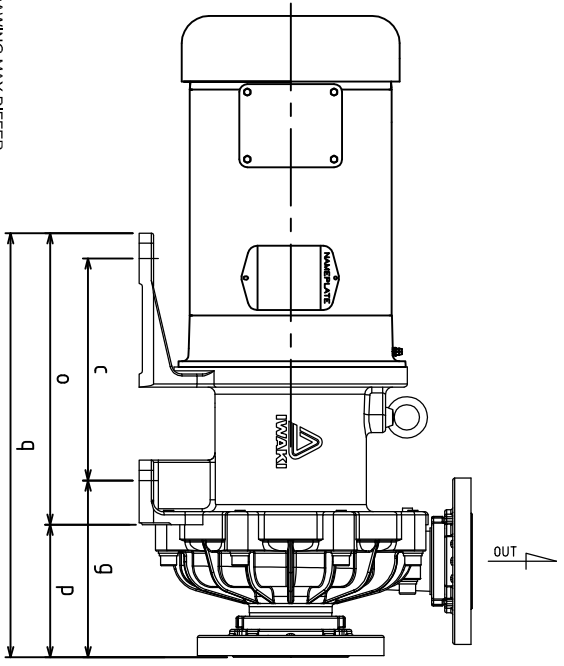
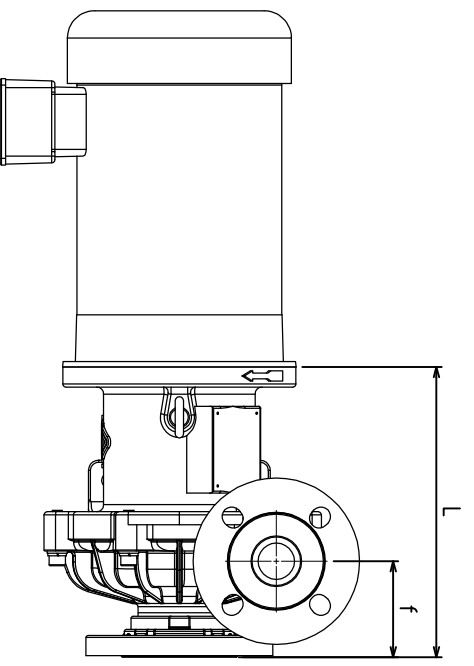


REVISIONS			
REV	DESCRIPTION	DATE	APPROVED
A	FIRST DOCUMENT	12/12/2014	CJC



- NOTES:
 1. SHAPE OF PRODUCT ON DRAWING MAY DIFFER FROM ACTUAL. PRODUCT ON SOME POINTS.
 2. SOME DIMENSIONS MAY VARY.
 3. FLANGES AVAILABLE UPON REQUEST.
 4. PUMP DRAWN FROM 22B405503 & IP20502

MODEL	SUCTION	DISCHARGE
MX-505	2 1/2" FLANGE	2" FLANGE

MODEL	HP/FRAME	W	H	L
MX-505	5/184,TC	7.09	12.99	11.32

MODEL	a	b	c	d	e	f	g	k	o	p	q
MX-505	5.51	3.78	8.66	5.91	7.09	3.14	6.89	.47	11.38	5.16	16.54

PROPRIETARY
 THIS DRAWING CONTAINS CONFIDENTIAL INFORMATION PROPRIETARY TO IWAKI AMERICA. IT MUST NOT BE REPRODUCED OR TRANSMITTED TO OTHERS OR USED IN ANY OTHER WAY, IN WHATEVER MANNER, WITHOUT THE WRITTEN PERMISSION OF IWAKI AMERICA.

MATERIAL
 GFRRP/DCI

BY CJC
DATE 12/12/2014
APPROVED XXXXXX

TOLERANCES

DIMENSIONS IN INCHES UNLESS OTHERWISE NOTED
 X .XX = .010
 .XXX = .00



5 Boynton Rd.
 Hopping Brook Park
 Holliston, MA 01746
 (508) 429-1440
www.IwakiAmerica.com

SIZE B
DWG NO. MX00017
DESCRIPTION MX-505 184,TC FRAME
SCALE: FULL
THIRD ANGLE PROJECTION
SHEET: 1 OF 1