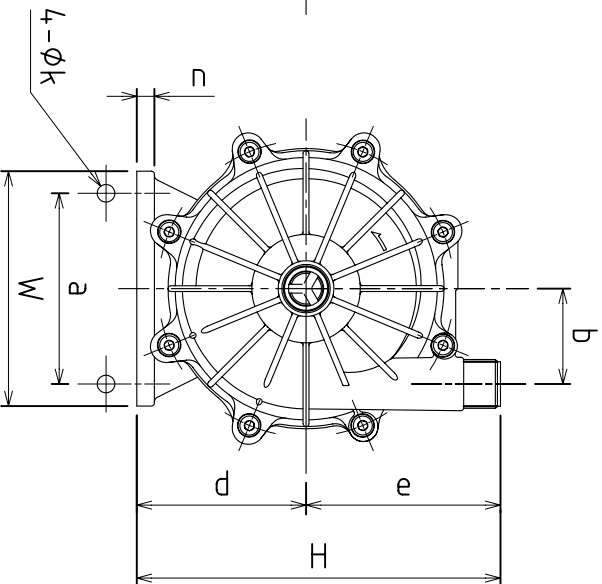
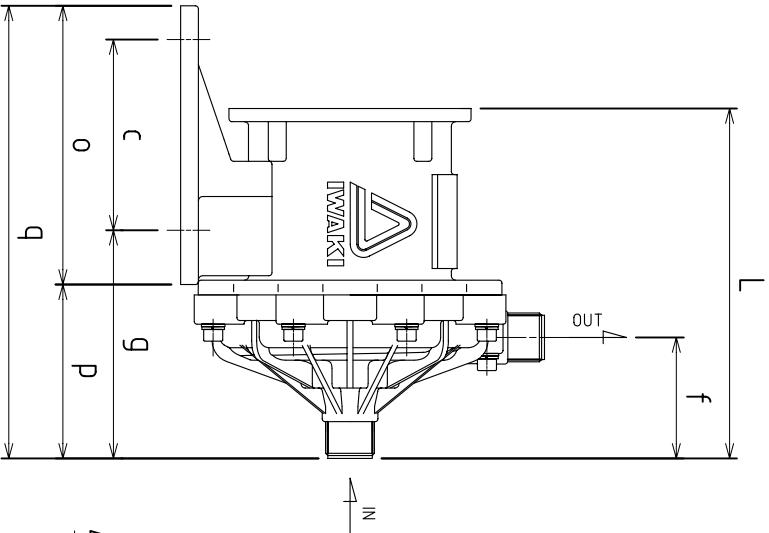


- NOTES:
 1) SHAPE OF PRODUCT ON DRAWING MAY DIFFER FROM ACTUAL PRODUCT ON SOME POINTS.
 2) SOME DIMENSIONS MAY VARY.
 3) FLANGES AVAILABLE UPON REQUEST.
 4) PUMP DRAWN FROM 22B402547 & 22B402548.

REV		DESCRIPTION	DATE	APPROVED
A	NEW DOCUMENT		12/15/2003	CJC
B	10739: INCLUDE NEW PRODUCT, MX-F251		9/16/2008	JTS



MODEL	SUCTION	DISCHARGE												
MX-(F)250	1" MNPT	1" MNPT												
MX-(F)251	1" MNPT	1" MNPT												
MODEL	HP/FRAME	W	H	L										
MX-(F)250	.5 / 56C	6.30	9.75	9.39										
MX-(F)251	1 / 56C	6.30	9.75	9.39										
MODEL	a	b	c	d	e	f	g	k	n	o	p	q		
MX-(F)250	5.12	2.56	5.12	4.53	5.22	3.25	6.12	.47	.47	7.48	4.67	12.15		
MX-(F)251	5.12	3.00	5.12	4.53	5.22	3.25	6.44	.47	.47	7.48	4.98	12.46		

TOLERANCES

DIMENSIONS IN INCHES (MM)
 UNLESS OTHERWISE NOTED
 X = .050
 XX = .010
 XXX = .005
 REPAIR AND BREAK
 ALL SHARP EDGES



www.IwakiAmerica.com

5 Boynton Rd.
 Hopping Brook Park
 Holliston, MA 01746
 (508) 429-1440

SIZE	DWG NO.	DESCRIPTION	REV
A	IF20496	MX-(F)250/251, .5/1 HP, 56C FRAME	B

SCALE: FULL



THIRD ANGLE PROJECTION

SHEET: 1 OF 1