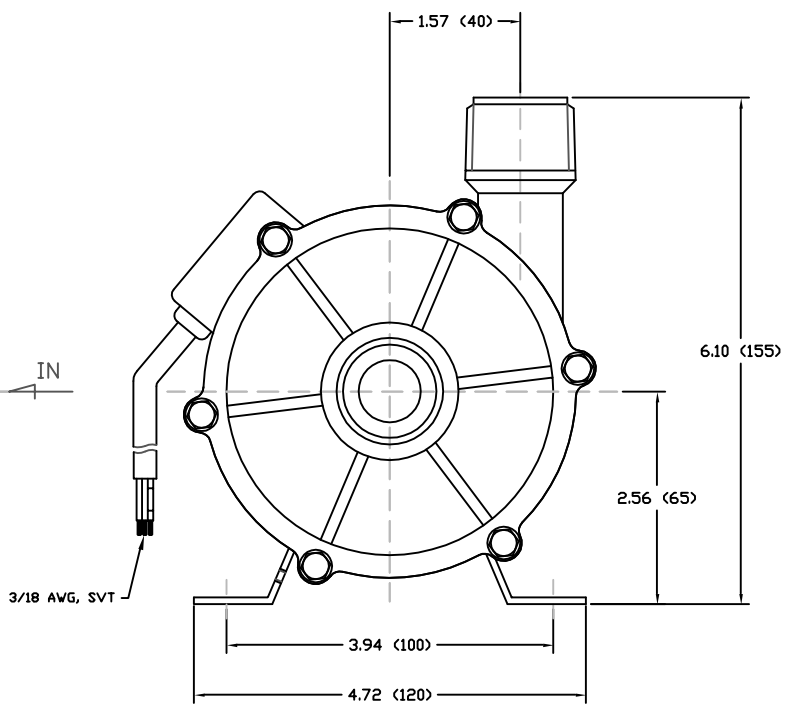
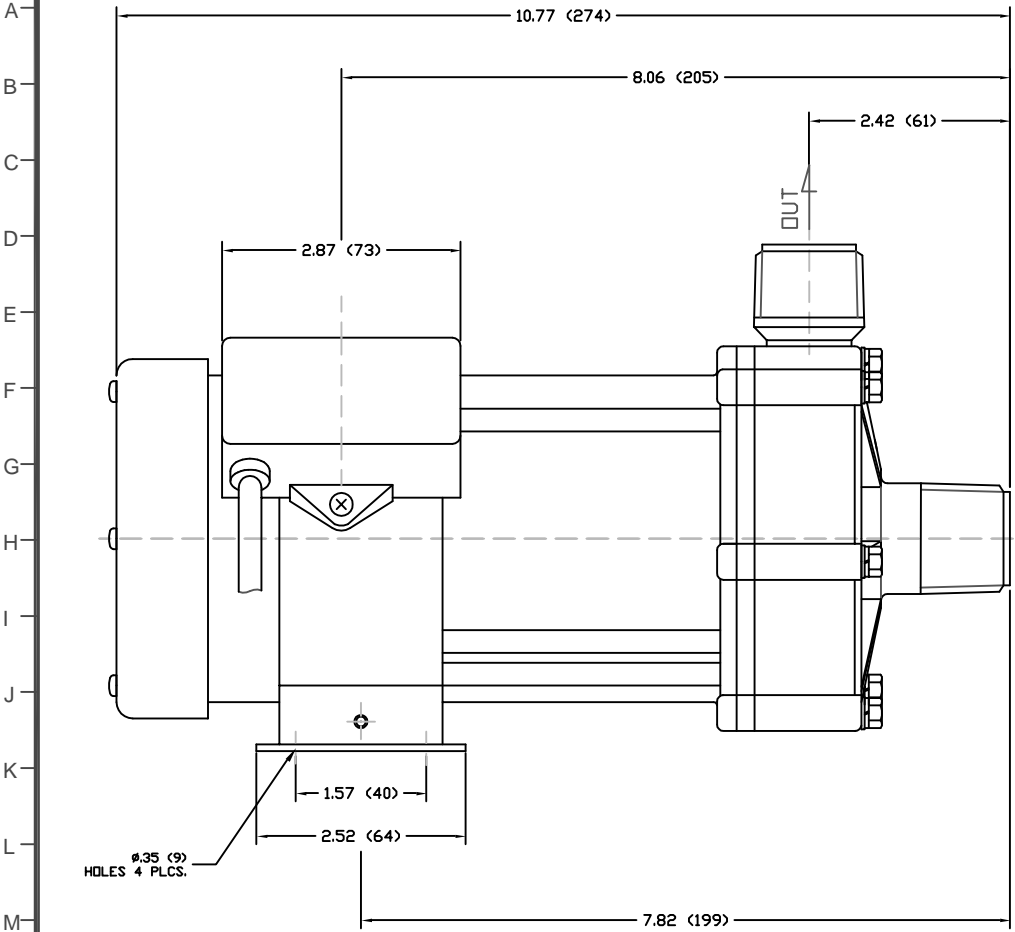


1 2 3 4 5 6 7 8 9 10 11 12 13 14 15 16 17 18 19 20 21 22 23 24 25

PART OR DRAWING NO. IF20574 REV. A




0.35 (9)
HOLES 4 PLCS.

- NOTES:
 1. DRAWING MAY VARY FROM ACTUAL PRODUCT
 2. DRAWN FROM 2Z000373 TO SCALE.
 3. REFER TO SPECIFICATION C910659.
 4. DIMENSIONS ARE IN INCHES (MM).

SPECIFICATIONS	
MAX CAPACITY	18.4 GPM (69.7 LPM)
MAX HEAD	26.9 FT (8.2 M)
MAWP	17.06 PSI (.12 MPA)
VOLTAGE	115/220 VAC
CURRENT	1.6 A
CORD LENGTH	39.4 IN (1 M)
WEIGHT	10.1 LBS (4.58 KG)
SUCTION	1 IN NPT - MALE
DISCHARGE	1 IN NPT - MALE

MATERIALS

CASING	GFRPP
IMPELLER	GFRPP
SPINDLE	ALUMINA CERAMIC
BEARING	PTFE
THRUST RING	ALUMINA CERAMIC
O-RING	FKM

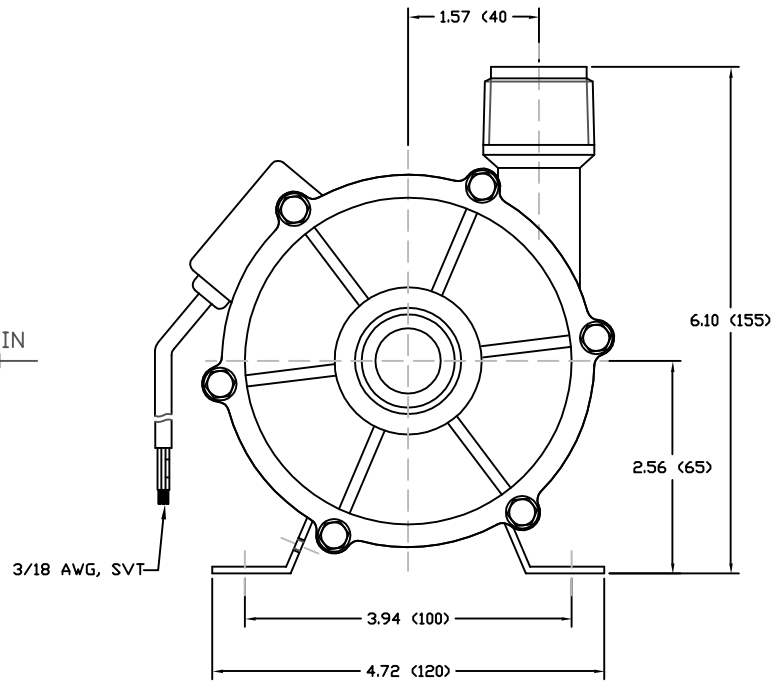
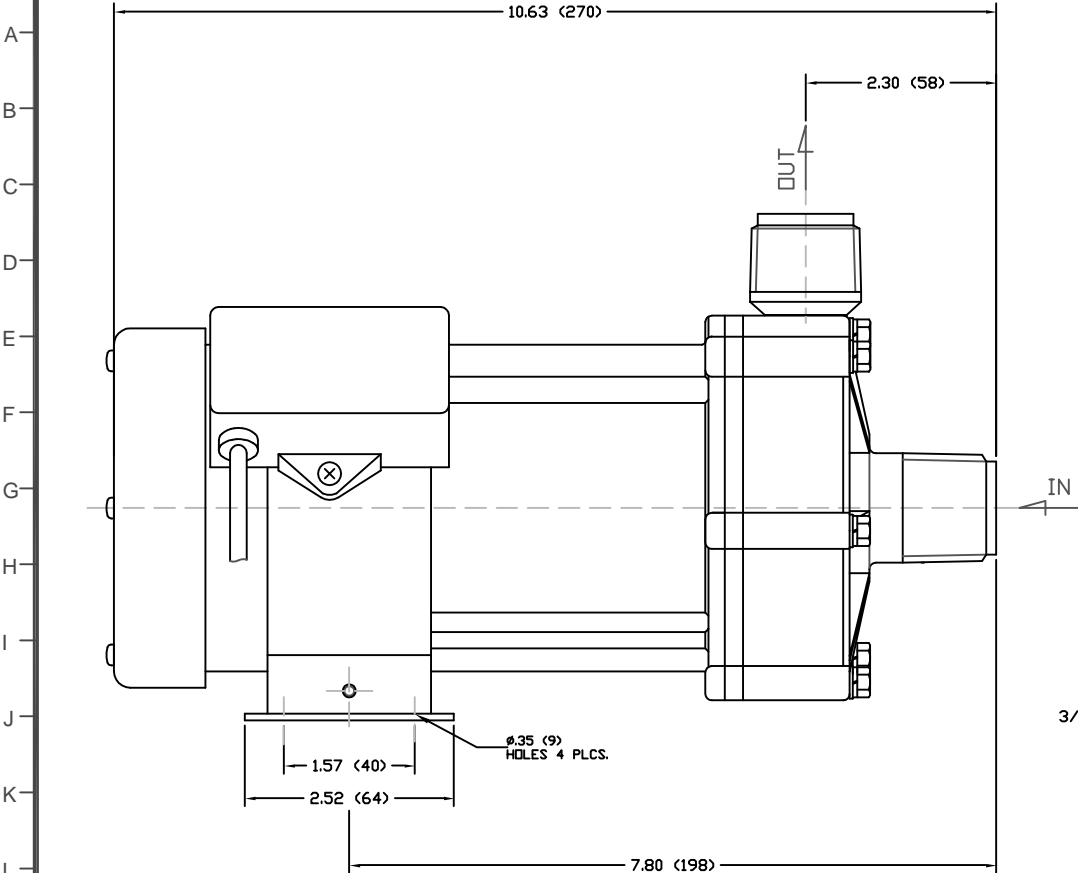
ECO#	DESCRIPTION	DATE	REV. LTR.
MATERIAL SEE CHART			
GJS	04 03 05	XXX	1
DRAWN	DAY	MO.	YR.
		RELEASED	SHEET NO.
 www.IwakiAmerica.com		5 Boynton Rd. Hopping Brook Park Holliston, MA 01746 (508) 429-1440	
		TITLE MAG DRIVE PUMP MD-55RLT (115/220V)	

PART OR DWG. NO. IF20574

REV. A

1 2 3 4 5 6 7 8 9 10 11 12 13 14 15 16 17 18 19 20 21 22 23 24 25

PART OR DRAWING NO. IF20575 REV. A



- NOTES:
 1. DRAWING MAY VARY FROM ACTUAL PRODUCT
 2. DRAWN FROM 2Z000417 TO SCALE.
 3. REFER TO CONSTRUCTION DRAWING 2A32494.
 4. DIMENSIONS ARE IN INCHES (MM).

SPECIFICATIONS	
MAX CAPACITY	17.1 GPM (64.7 LPM)
MAX HEAD	25.6 FT (7.8M)
MAWP	21.3 PSI (1.5 MPA)
VOLTAGE	115 VAC
CURRENT	1.9 A
CORD LENGTH	39.4 IN (1 M)
WEIGHT	11.9 LBS (5.4 KG)
SUCTION	1 IN NPT - MALE
DISCHARGE	1 IN NPT - MALE

MATERIALS	
CASING	CFRETFE
IMPELLER	CFRETFE
SPINDLE	SIC
BEARING	SIC
THRUST RING	SIC
O-RING	FKM-A

ECO#	DESCRIPTION	DATE	REV. LTR.
MATERIAL SEE CHART			
GJS	04 03 05	XXX	1
DRAWN	DAY	MO.	YR.
RELEASED		SHEET NO.	
		5 Boynton Rd. Hopping Brook Park Holliston, MA 01746 (508) 429-1440 www.lwakiAmerica.com	
TITLE			
MAG DRIVE PUMP MD-55LFY (115V)			

PART OR DWG. NO. IF20575 REV. A