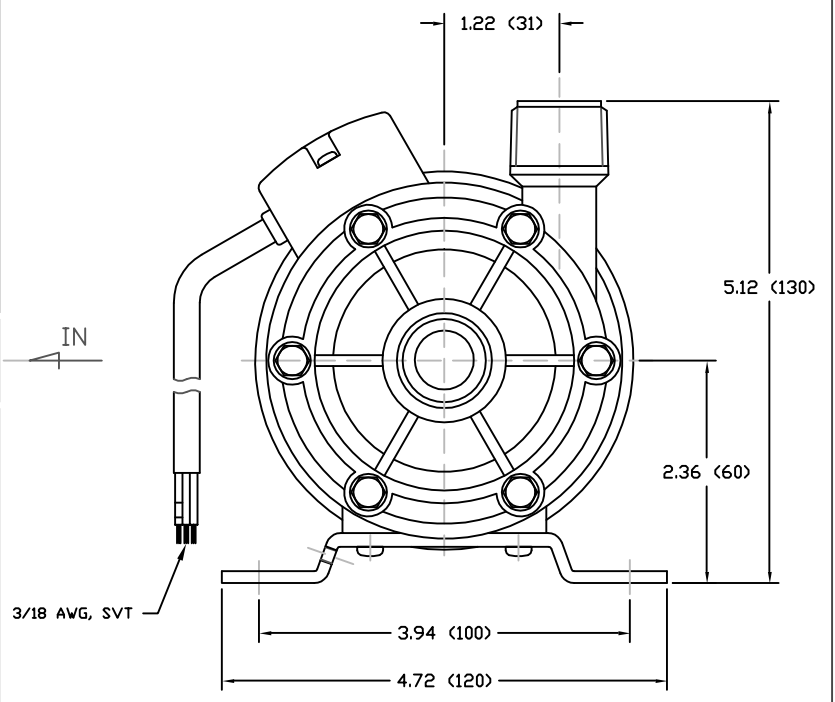
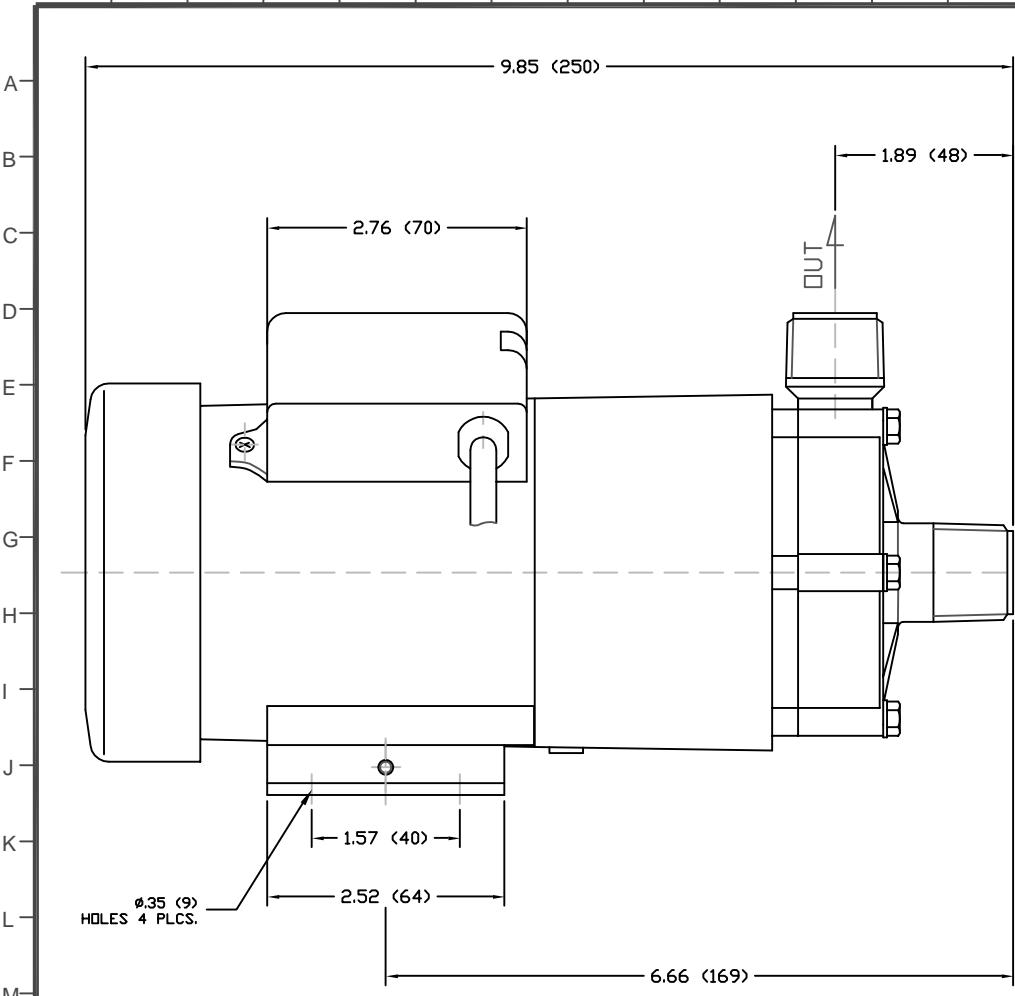


1 2 3 4 5 6 7 8 9 10 11 12 13 14 15 16 17 18 19 20 21 22 23 24 25

PART OR DRAWING NO. IF20571 REV. A



- NOTES:  
 1. DRAWING MAY VARY FROM ACTUAL PRODUCT  
 2. DRAWN FROM 22000414 TO SCALE.  
 3. REFER TO SPECIFICATION C930914.  
 4. DIMENSIONS ARE IN INCHES (MM).

MATERIALS

|             |                 |
|-------------|-----------------|
| CASING      | GFRPP           |
| IMPELLER    | GFRPP           |
| SPINDLE     | ALUMINA CERAMIC |
| BEARING     | PTFE            |
| THRUST RING | ALUMINA CERAMIC |
| O-RING      | FKM             |

SPECIFICATIONS

|              |                     |
|--------------|---------------------|
| MAX CAPACITY | 13.7 GPM (51.9 LPM) |
| MAX HEAD     | 21.3 FT (6.49 M)    |
| MAWP         | 14.22 PSI (.1 MPA)  |
| VOLTAGE      | 115/220 VAC         |
| CURRENT      | 1.3 A               |
| CORD LENGTH  | 39.4 IN (1 M)       |
| WEIGHT       | 8.6 LBS (3.9 KG)    |
| SUCTION      | 3/4 IN NPT - MALE   |
| DISCHARGE    | 3/4 IN NPT - MALE   |

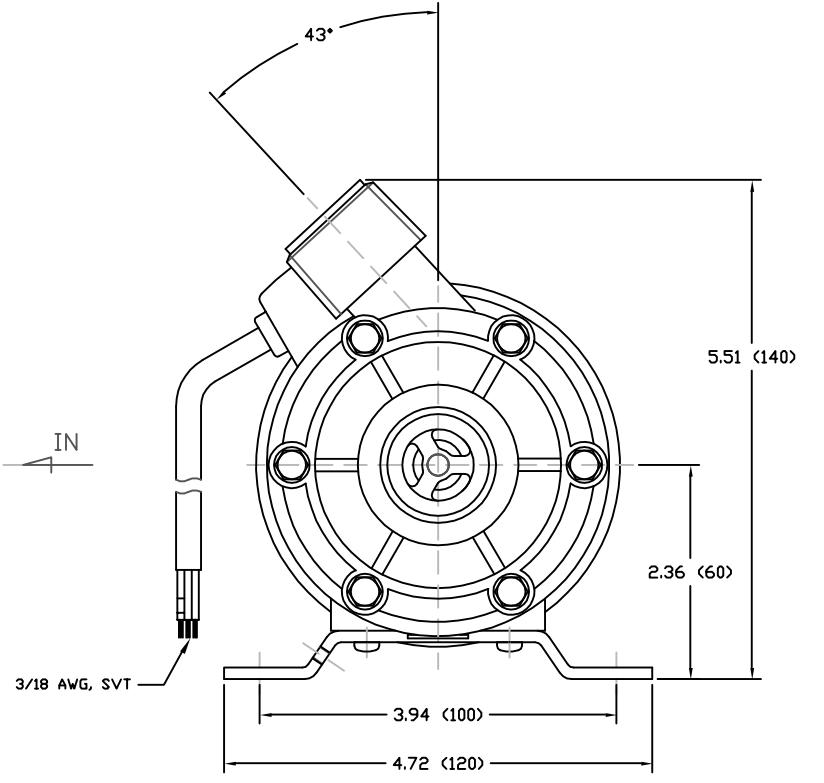
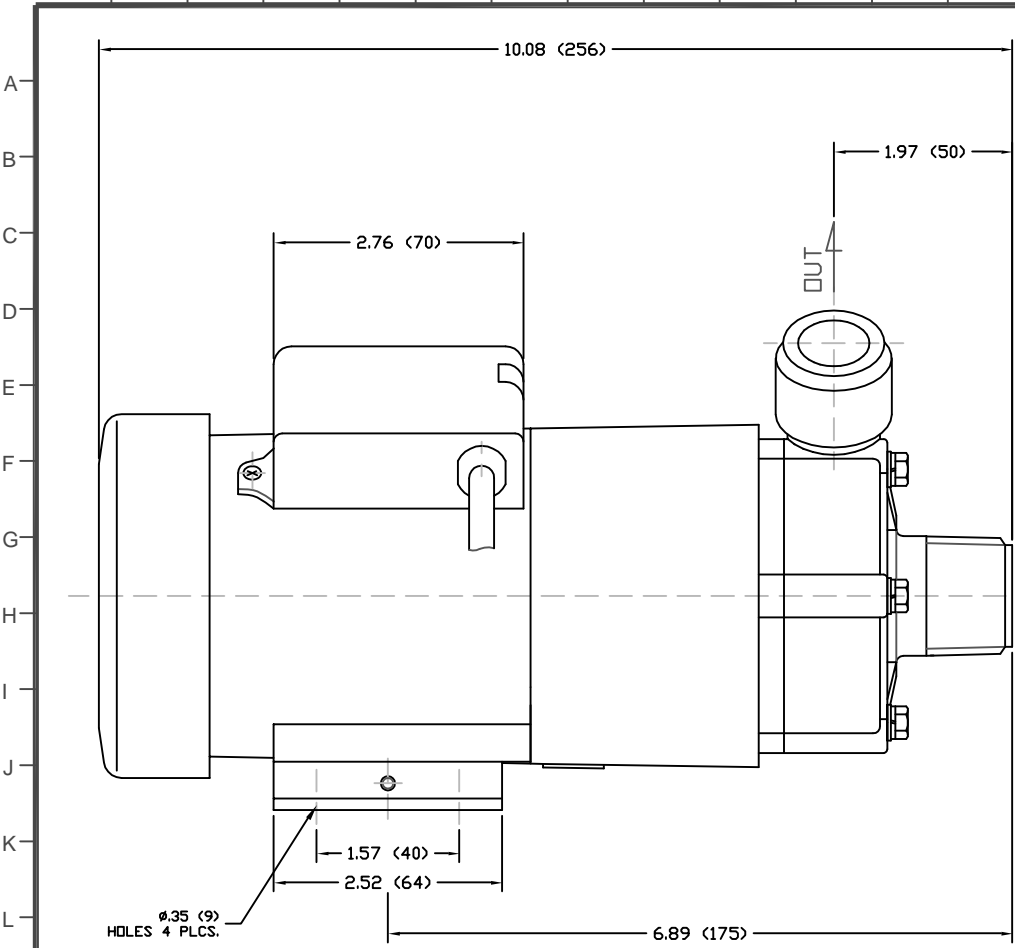
|                                   |             |  |           |
|-----------------------------------|-------------|--|-----------|
| ECO#                              | DESCRIPTION | DATE   | REV. LTR. |
| MATERIAL SEE CHART                |             |  |           |
| GJS                               | 04 03 05    | XXX  | 1         |
| DRAWN                             | DAY         | MO.  | YR.       |
| RELEASED                          |             | SHEET NO.  |           |
|                                   |             | 5 Boynton Rd.<br>Hopping Brook Park<br>Holliston, MA 01746<br>(508) 429-1440<br>www.IwakiAmerica.com |           |
| TITLE                             |             |  |           |
| MAG DRIVE PUMP MD-40RT (115/220V) |             |  |           |

PART OR DWG. NO. IF20571

REV. A

1 2 3 4 5 6 7 8 9 10 11 12 13 14 15 16 17 18 19 20 21 22 23 24 25

PART OR DRAWING NO. IF20572 REV. A




- NOTES:  
 1. DRAWING MAY VARY FROM ACTUAL PRODUCT  
 2. DRAWN FROM 22000416 TO SCALE.  
 3. REFER TO SPECIFICATION C930913.  
 4. DIMENSIONS ARE IN INCHES (MM).

MATERIALS

|             |                 |
|-------------|-----------------|
| CASING      | GFRPP           |
| IMPELLER    | GFRPP           |
| SPINDLE     | ALUMINA CERAMIC |
| BEARING     | PTFE            |
| THRUST RING | ALUMINA CERAMIC |
| O-RING      | FKM             |

| MAWP SPECIFICATIONS |                     |
|---------------------|---------------------|
| MAX CAPACITY        | 22.4 GPM (84.8 LPM) |
| MAX HEAD            | 15.4 FT (4.7 M)     |
| MAWP                | 9.95 PSI (.07 MPA)  |
| VOLTAGE             | 115/220 VAC         |
| CURRENT             | 1.2 A               |
| CORD LENGTH         | 39.4 IN (1 M)       |
| WEIGHT              | 8.6 LBS (3.9 KG)    |
| SUCTION             | 1 IN NPT - MALE     |
| DISCHARGE           | 1 IN NPT - MALE     |

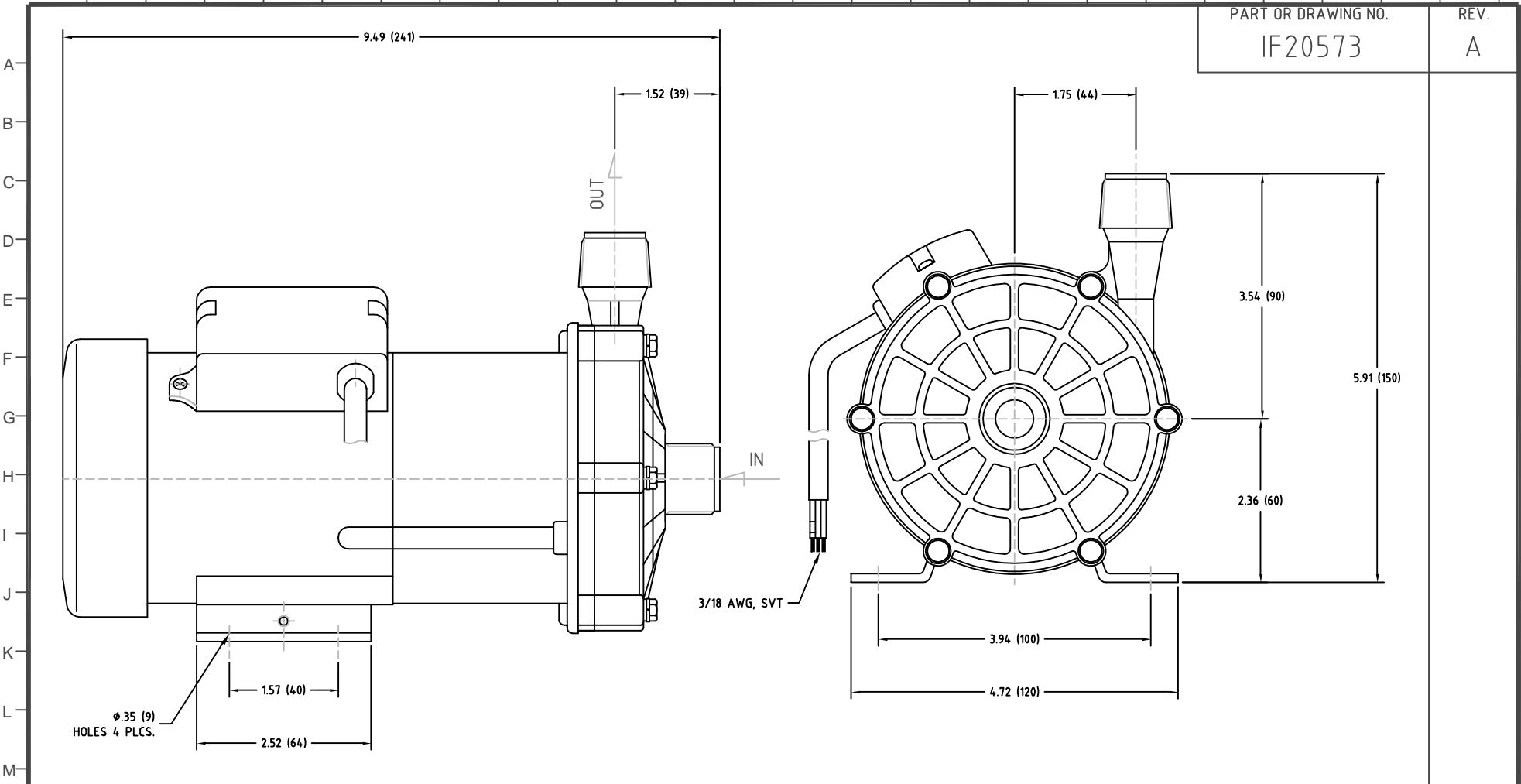
| ECO#  | DESCRIPTION | DATE   | REV. LTR. |
|---|-------------|--|-----------|
| MATERIAL SEE CHART  |             |  |           |
| GJS   | 04 03 05    | XXX  | 1         |
| DRAWN   | DAY         | MO.  | YR.       |
| RELEASED  |             | SHEET NO.  |           |
| <br>www.IwakiAmerica.com |             | 5 Boynton Rd.<br>Hopping Brook Park<br>Holliston, MA 01746<br>(508) 429-1440 |           |
| TITLE   |             |  |           |
| MAG DRIVE PUMP MD-40RXT (115/220V)  |             |  |           |

PART OR DWG. NO. IF20572

REV. A

1 2 3 4 5 6 7 8 9 10 11 12 13 14 15 16 17 18 19 20 21 22 23 24 25

PART OR DRAWING NO.  
IF20573  
REV.  
A




φ.35 (9)  
HOLES 4 PLCS.

- NOTES:  
 1. DRAWING MAY VARY FROM ACTUAL PRODUCT  
 2. DRAWN FROM 2B310511 TO SCALE.  
 3. REFER TO SPECIFICATION 2H672.  
 4. DIMENSIONS ARE IN INCHES (MM).

| SPECIFICATIONS |                   |
|----------------|-------------------|
| MAX CAPACITY   | 5.8 GPM (22 LPM)  |
| MAX HEAD       | 44.3 FT (13.5 M)  |
| MAWP           | 29 PSI (0.2 MPA)  |
| VOLTAGE        | 115/220 VAC       |
| CURRENT        | 0.85 A            |
| CORD LENGTH    | 39.4 IN (1 M)     |
| WEIGHT         | 8.6 LBS (3.9 KG)  |
| SUCTION        | 3/4 IN NPT - MALE |
| DISCHARGE      | 3/4 IN NPT - MALE |

| MATERIALS   |                 |
|-------------|-----------------|
| CASING      | GFRPP           |
| IMPELLER    | GFRPP           |
| SPINDLE     | ALUMINA CERAMIC |
| BEARING     | PTFE            |
| THRUST RING | ALUMINA CERAMIC |
| O-RING      | FKM             |

| ECO#  | DESCRIPTION | DATE   | REV. LTR.                                |
|---|-------------|--|--|
| MATERIAL<br>SEE CHART   |             |  |  |
| GJS   | 04 03 05    | XXX  | 1  |
| DRAWN   | DAY         | MO.  | YR.                                      |
| RELEASED  |             | SHEET NO.  |  |
| <br>www.IwakiAmerica.com |             | 5 Boynton Rd.<br>Hopping Brook Park<br>Holliston, MA 01746<br>(508) 429-1440 |  |
| TITLE<br>MAG DRIVE PUMP<br>MD-40RZT (115/220V)  |             |  | PART OR DWG. NO.<br>IF20573<br>REV.<br>A |