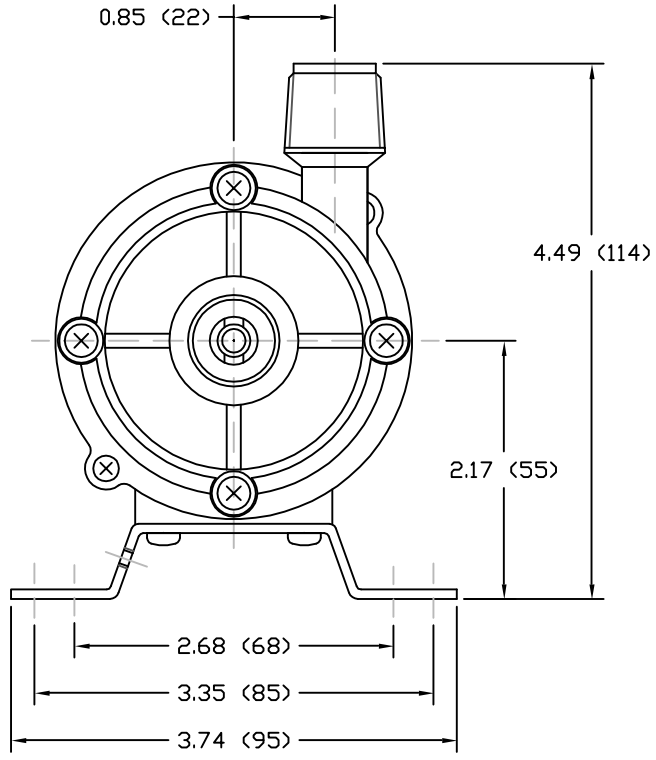
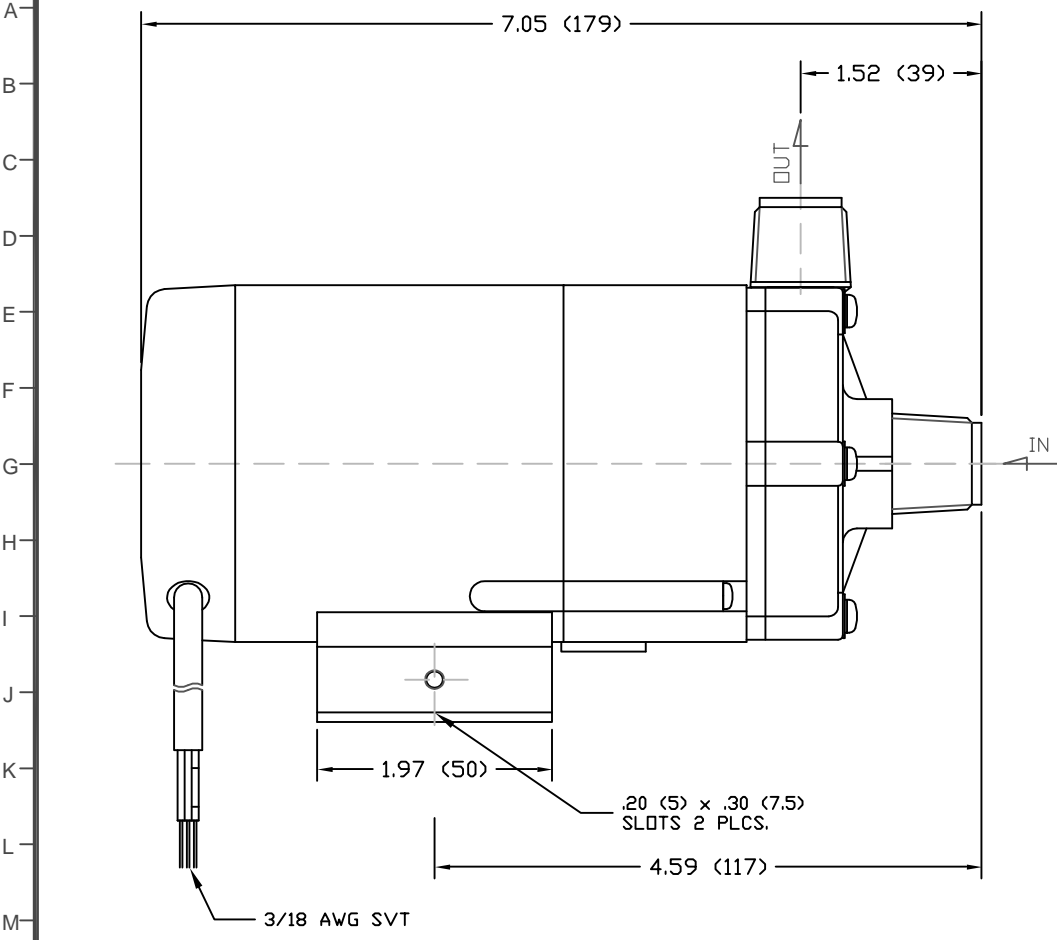


1 2 3 4 5 6 7 8 9 10 11 12 13 14 15 16 17 18 19 20 21 22 23 24 25

PART OR DRAWING NO. IF20564 REV. A



- NOTES:
 1. DRAWING MAY VARY FROM ACTUAL PRODUCT.
 2. DRAWN FROM 2Z000400 TO SCALE.
 3. REFER TO SPECIFICATION C910711.
 4. DIMENSIONS ARE IN INCHES (MM).

SPECIFICATIONS	
MAX CAPACITY	5 GPM (18.9 LPM)
MAX HEAD	11.1 FT (3.38 M)
MAWP	7.2 PSI (0.05 MPA)
VOLTAGE	115 VAC
CURRENT	.29 A
CORD LENGTH	39.4 IN (1 M)
WEIGHT	3.5 LBS (1.59 KG)
SUCTION	1/2 IN NPT - MALE
DISCHARGE	1/2 IN NPT - MALE

MATERIALS

CASING	GFRPP
IMPELLER	GFRPP
SPINDLE	ALUMINA CERAMIC
BEARING	PTFE
THRUST RING	ALUMINA CERAMIC
O-RING	FKM

ECO#	DESCRIPTION	DATE	REV. LTR.
MATERIAL SEE CHART			
GJS	04 03 05	XXX	1
DRAWN	DAY	MO.	YR.
		RELEASED	SHEET NO.
		5 Boynton Rd. Hopping Brook Park Holliston, MA 01746 (508) 429-1440 www.IwakiAmerica.com	
TITLE			
MAG DRIVE PUMP			
MD-15RT (115V)			

PART OR DWG. NO. IF20564 REV. A