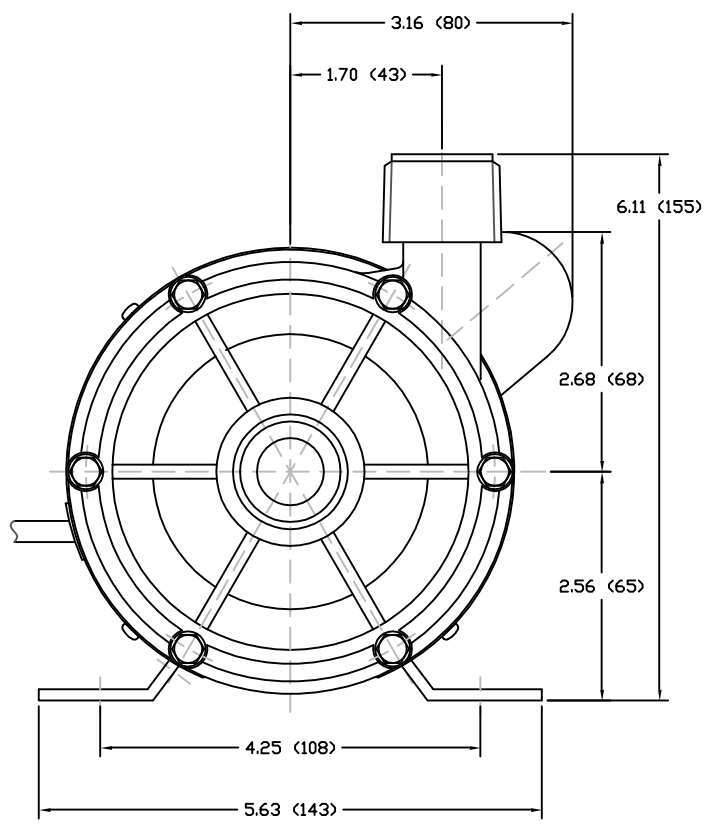
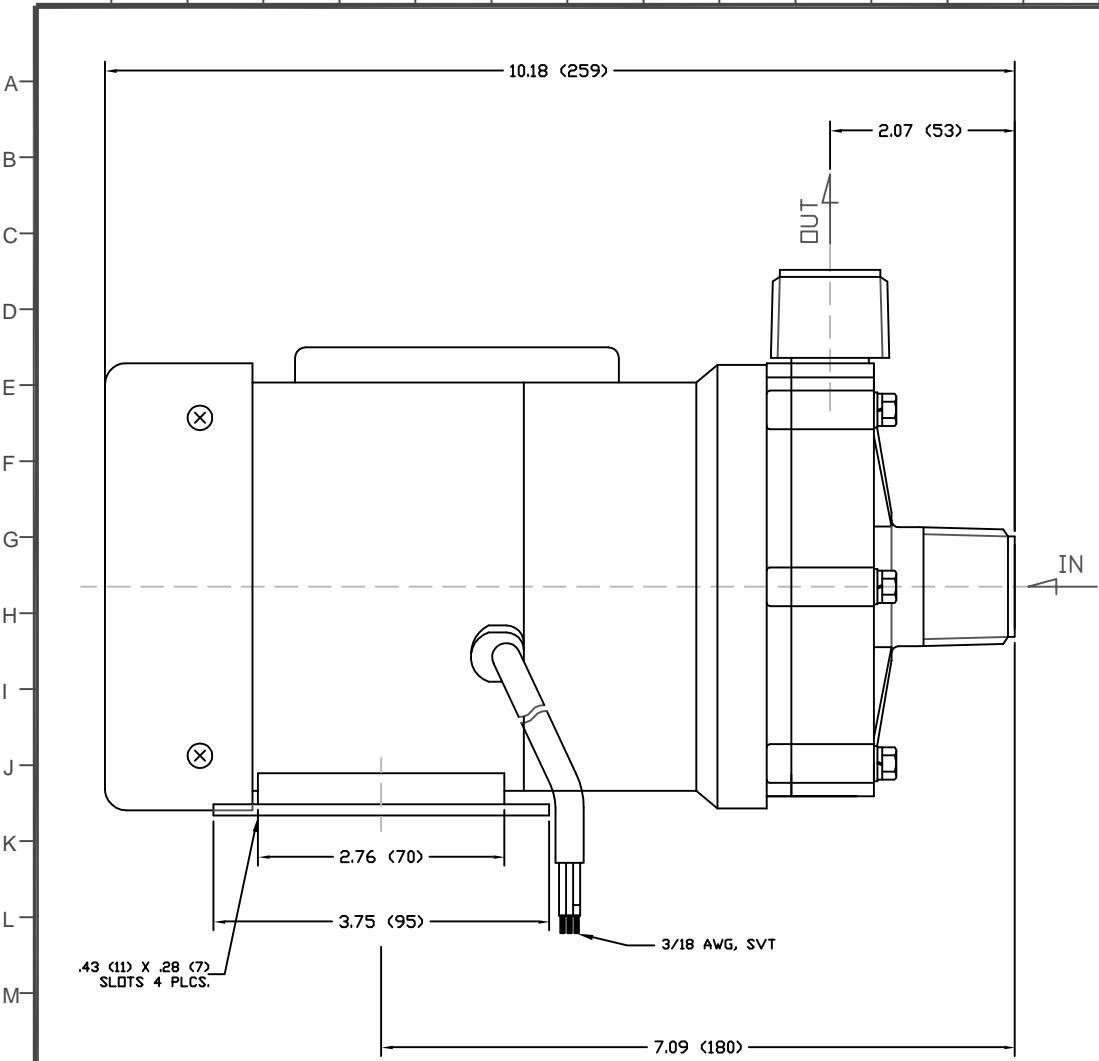


1 2 3 4 5 6 7 8 9 10 11 12 13 14 15 16 17 18 19 20 21 22 23 24 25

PART OR DRAWING NO. IF20576 REV. A




.43 (11) X .28 (7)
SLOTS 4 PLCS.

- NOTES:
 1. DRAWING MAY VARY FROM ACTUAL PRODUCT
 2. DRAWN FROM 2Z000388 TO SCALE.
 3. REFER TO SPECIFICATION C910659.
 4. DIMENSIONS ARE IN INCHES (MM).

SPECIFICATIONS	
MAX CAPACITY	25.6 GPM (96.9 LPM)
MAX HEAD	31.8 FT (9.7M)
MAWP	21.33 PSI (.15 MPA)
VOLTAGE	115 VAC
CURRENT	2.8 A
CORD LENGTH	39.4 IN (1 M)
WEIGHT	13.2 LBS (6 KG)
SUCTION	1 IN NPT - MALE
DISCHARGE	1 IN NPT - MALE

MATERIALS

CASING	GFRPP
IMPELLER	GFRPP
SPINDLE	ALUMINA CERAMIC
BEARING	PTFE
THRUST RING	ALUMINA CERAMIC
O-RING	FKM

ECO#	DESCRIPTION	DATE	REV. LTR.
MATERIAL SEE CHART			
GJS	04 03 05	XXX	1
DRAWN	DAY	MO.	YR.
RELEASED		SHEET NO.	
 www.IwakiAmerica.com		5 Boynton Rd. Hopping Brook Park Holliston, MA 01746 (508) 429-1440	
TITLE			
MAG DRIVE PUMP			
MD-70RLT (115V)			

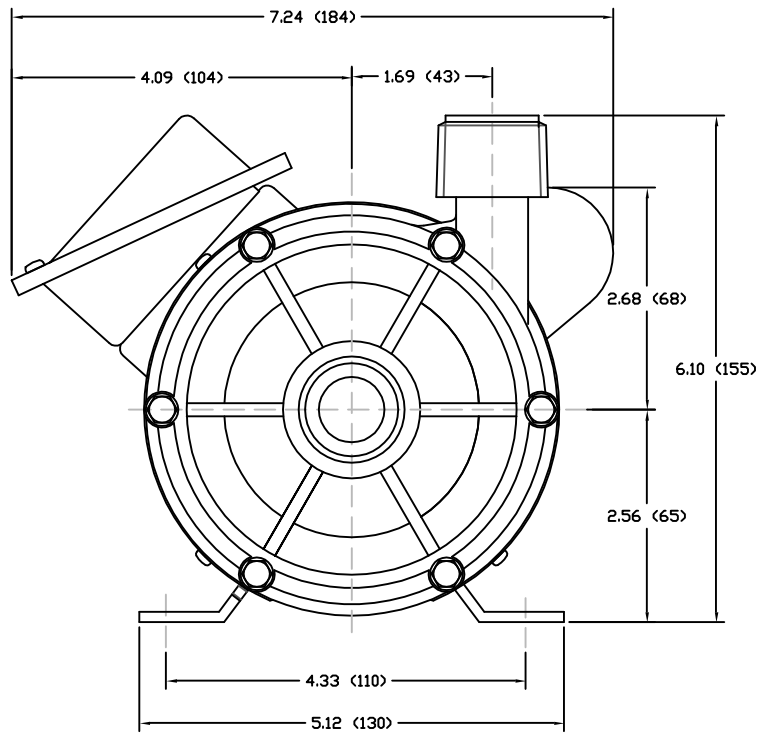
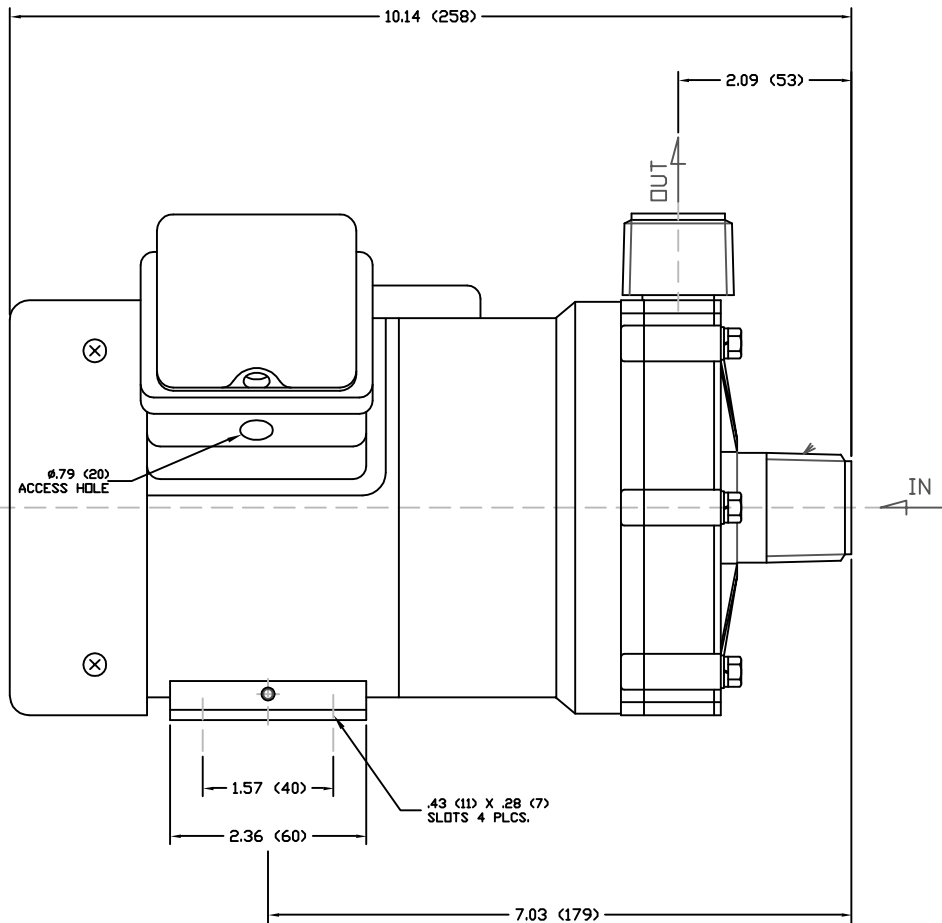
PART OR DWG. NO. IF20576

REV. A

1 2 3 4 5 6 7 8 9 10 11 12 13 14 15 16 17 18 19 20 21 22 23 24 25

PART OR DRAWING NO. IF20577 REV. A

A
B
C
D
E
F
G
H
I
J
K
L
M
N
O
P
Q
R
S



NOTES:
1. DRAWING MAY VARY FROM ACTUAL PRODUCT
2. DRAWN FROM 2Z000419 TO SCALE.
3. REFER TO SPECIFICATION 2H042.
4. DIMENSIONS ARE IN INCHES (MM).

SPECIFICATIONS

MAX CAPACITY	25.6 GPM (97 LPM)
MAX HEAD	31.8 FT (9.7 M)
MAWP	21.8 PSI (.15 MPA)
VOLTAGE	220/240 VAC
CURRENT	1.21/1.64 A
CORD LENGTH	N/A
WEIGHT	13.2 LBS (6 KG)
SUCTION	1 IN NPT - MALE
DISCHARGE	1 IN NPT - MALE

MATERIALS

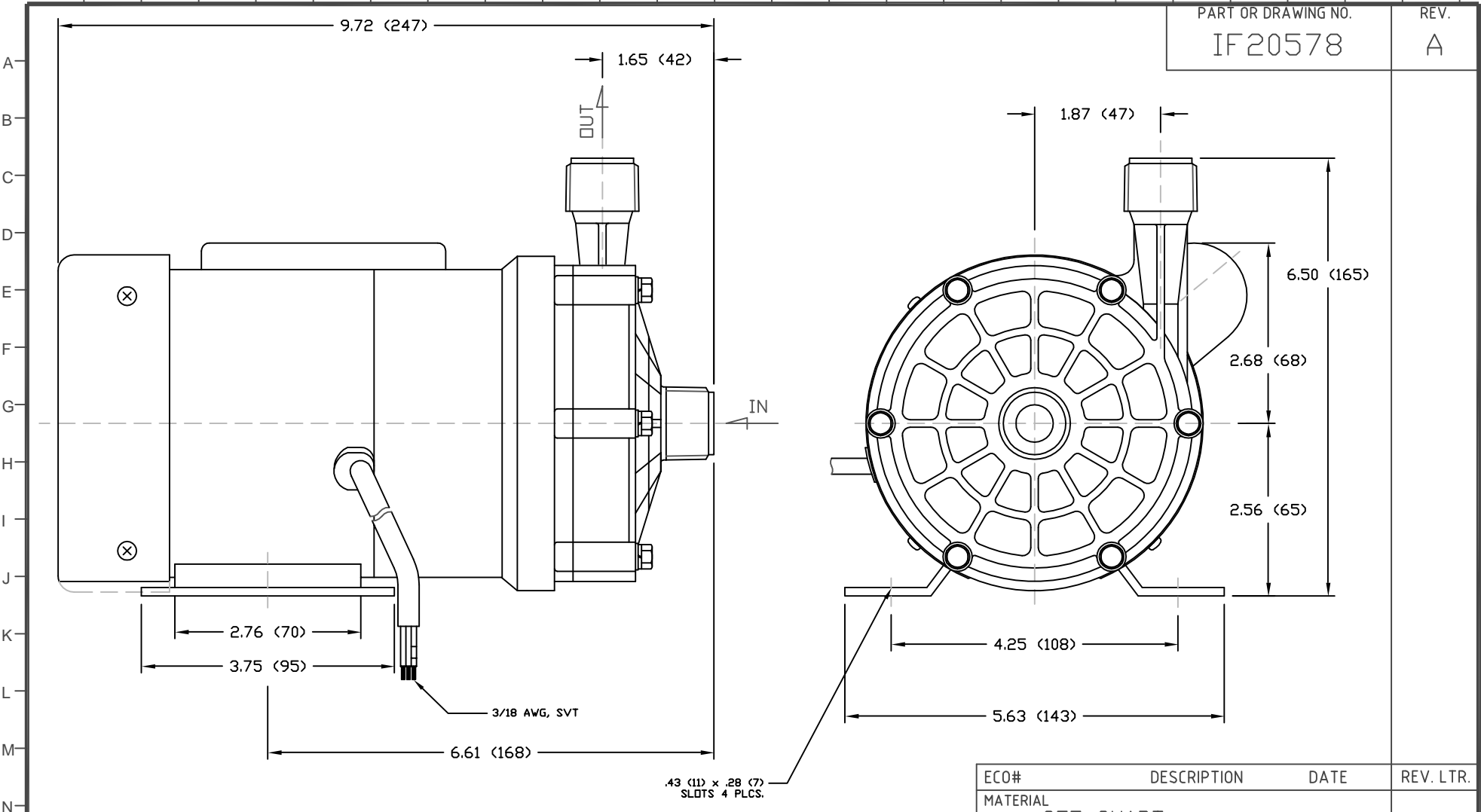
CASING	GFRPP
IMPELLER	GFRPP
SPINDLE	ALUMINA CERAMIC
BEARING	PTFE
THRUST RING	ALUMINA CERAMIC
O-RING	FKM

ECO#	DESCRIPTION	DATE	REV. LTR.
MATERIAL SEE CHART			
GJS	04 03 05	XXX	1
DRAWN	DAY MO. YR.	RELEASED	SHEET NO.
		5 Boynton Rd. Hopping Brook Park Holliston, MA 01746 (508) 429-1440 www.IwakiAmerica.com	
TITLE			REV.
MAG DRIVE PUMP MD-70RT (220/240)			A

PART OR DWG. NO. IF20577

1 2 3 4 5 6 7 8 9 10 11 12 13 14 15 16 17 18 19 20 21 22 23 24 25

PART OR DRAWING NO. IF20578 REV. A



- NOTES:
 1. DRAWING MAY VARY FROM ACTUAL PRODUCT
 2. DRAWN FROM 22000374 TO SCALE.
 3. REFER TO SPECIFICATION 2H027.
 4. DIMENSIONS ARE IN INCHES (MM).

SPECIFICATIONS	
MAX CAPACITY	11.4 GPM (43 LPM)
MAX HEAD	66.6 FT (20.3 M)
MAWP	42.7 PSI (.29 MPA)
VOLTAGE	115 VAC
CURRENT	3.8 A
CORD LENGTH	39.4 IN (1 M)
WEIGHT	13.2 LBS (6 KG)
SUCTION	3/4 IN NPT - MALE
DISCHARGE	3/4 IN NPT - MALE

MATERIALS	
CASING	GFRPP
IMPELLER	CFRPP
SPINDLE	ALUMINA CERAMIC
BEARING	PPS
THRUST RING	ALUMICA CERAMIC
O-RING	FKM

ECO#	DESCRIPTION	DATE	REV. LTR.
MATERIAL SEE CHART			
GJS	04 03 05	XXX	1
DRAWN	DAY	MO.	YR.
RELEASED		SHEET NO.	
		5 Boynton Rd. Hopping Brook Park Holliston, MA 01746 (508) 429-1440	
www.IwakiAmerica.com			
TITLE			
MAG DRIVE PUMP MD-70RLZT (115V)			

PART OR DWG. NO. IF20578

REV. A