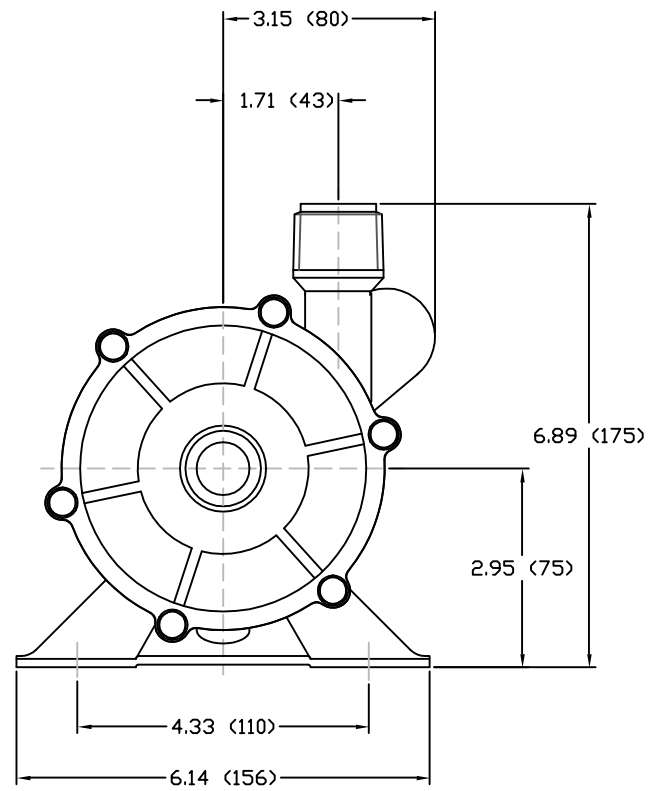
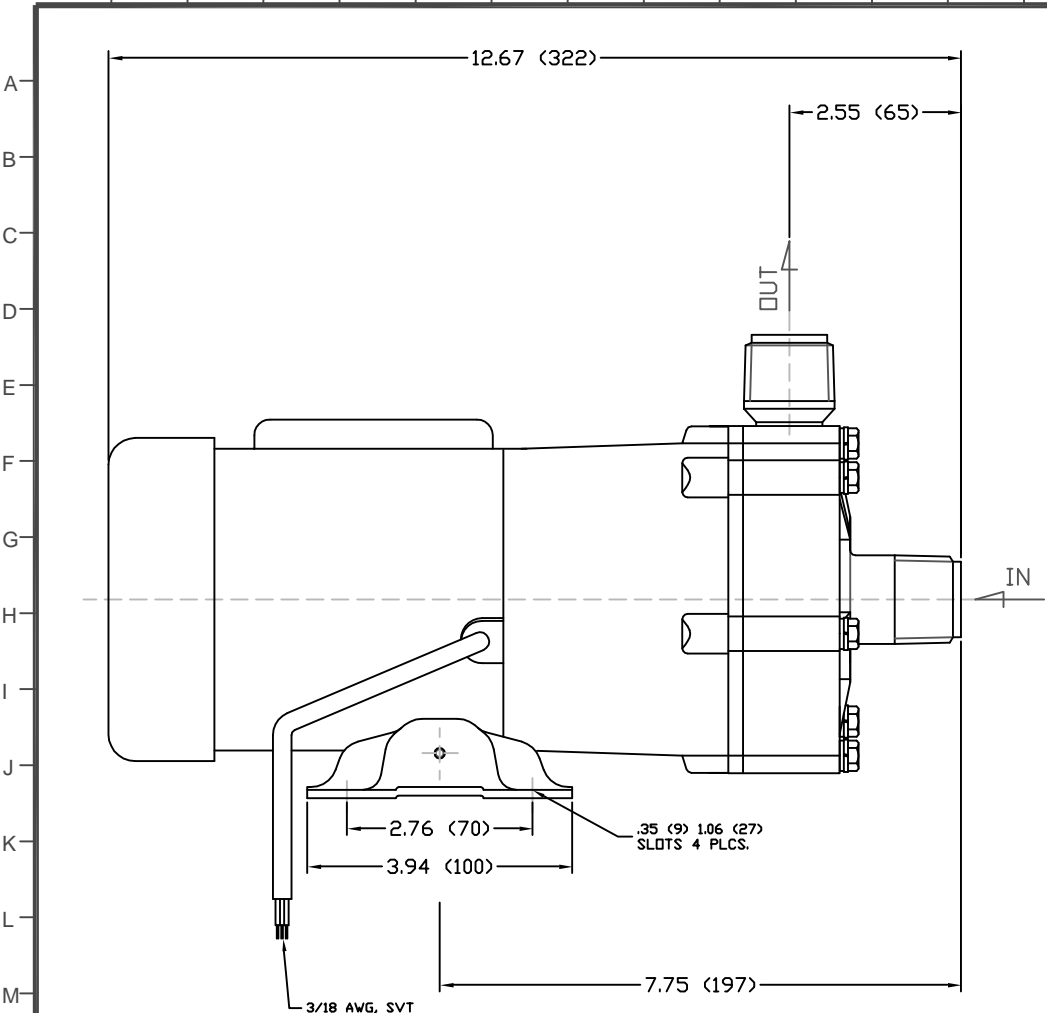


1 2 3 4 5 6 7 8 9 10 11 12 13 14 15 16 17 18 19 20 21 22 23 24 25


PART OR DRAWING NO. IF20580 REV. A



- NOTES:  
 1. DRAWING MAY VARY FROM ACTUAL PRODUCT  
 2. DRAWN FROM 2Z000423 TO SCALE.  
 3. REFER TO SPECIFICATION 2H178.  
 4. DIMENSIONS ARE IN INCHES (MM).

SPECIFICATIONS	
MAX CAPACITY	35.7 GPM (135 LPM)
MAX HEAD	37.7 FT (11.5 M)
MAWP	31.2 PSI (0.22 MPA)
VOLTAGE	115 VAC
CURRENT	3.4 A
CORD LENGTH	39.4 IN (1 M)
WEIGHT	18.7 LBS (8.5 KG)
SUCTION	1 IN NPT - MALE
DISCHARGE	1 IN NPT - MALE

MATERIALS	
CASING	CFRETFE
IMPELLER	CFRETFE
SPINDLE	SiC
BEARING	SiC
THRUST RING	SiC
O-RING	FKM-A

ECO#	DESCRIPTION	DATE	REV. LTR.
MATERIAL SEE CHART			
GJS	04 03 05	XXX	1
DRAWN	DAY	MO.	YR.
		RELEASED	SHEET NO.
 www.IwakiAmerica.com		5 Boynton Rd. Hopping Brook Park Holliston, MA 01746 (508) 429-1440	
TITLE			
MAG DRIVE PUMP			
MD-100LFY (115V)			

PART OR DWG. NO. IF20580 REV. A