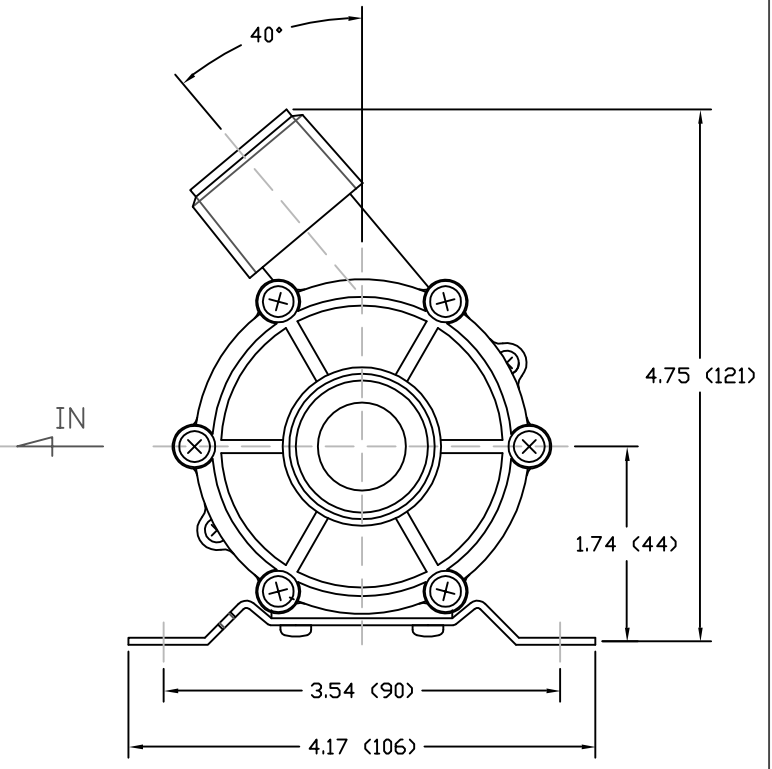
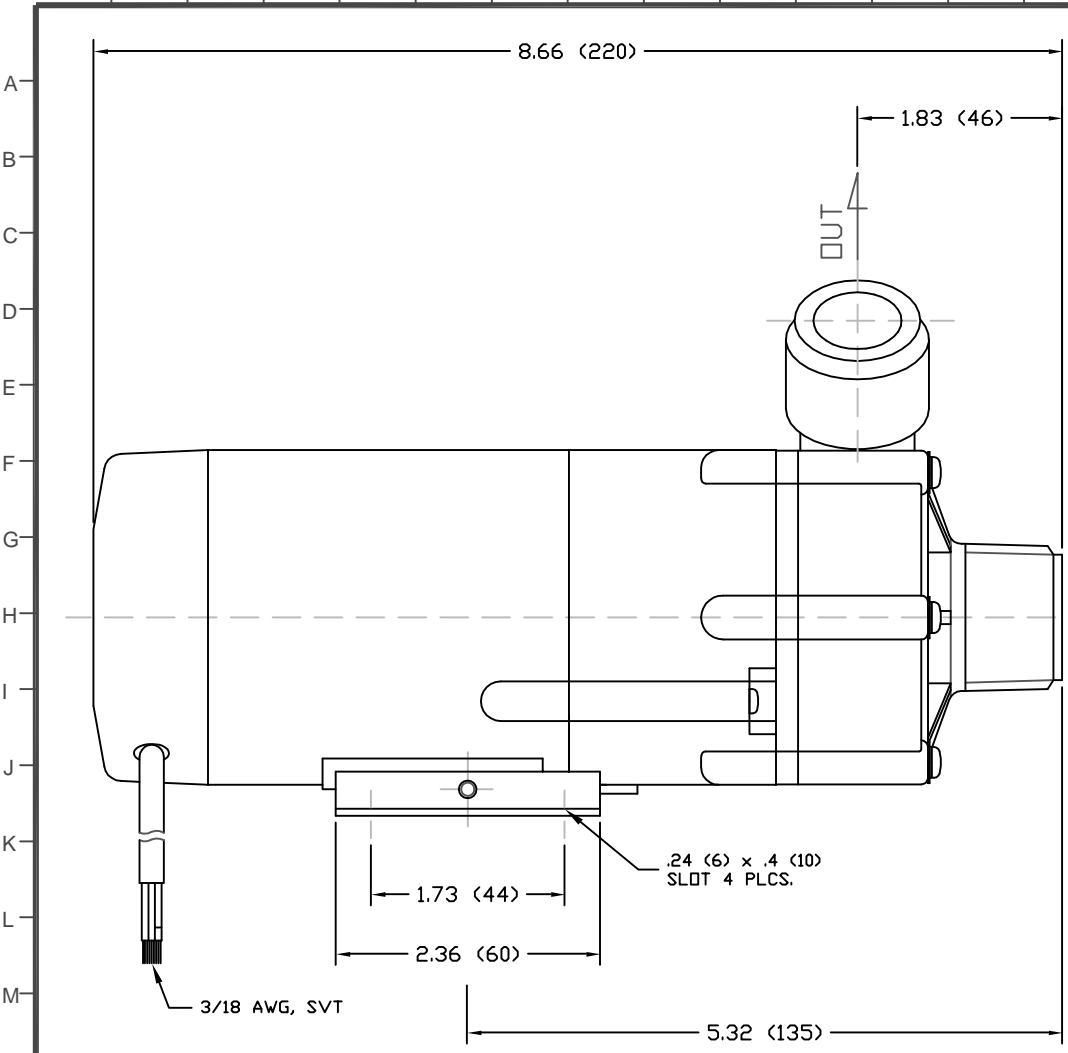


1 2 3 4 5 6 7 8 9 10 11 12 13 14 15 16 17 18 19 20 21 22 23 24 25

PART OR DRAWING NO. IF20566 REV. A



- NOTES:  
 1. DRAWING MAY VARY FROM ACTUAL PRODUCT.  
 2. REFER TO SPECIFICATION C910704.  
 3. DRAWN FROM 2Z000404 TO SCALE.  
 4. DIMENSIONS ARE IN INCHES (MM).

MATERIALS

CASING	GFRPP
IMPELLER	GFRPP
SPINDLE	ALUMINA CERAMIC
BEARING	PTFE
THRUST RING	ALUMINA CERAMIC
O-RING	FKM

SPECIFICATIONS

MAX CAPACITY	13.7 GPM (51.9 LPM)
MAX HEAD	8.2 FT (2.5 M)
MAWP	5.69 PSI (.04 MPA)
VOLTAGE	115 VAC
CURRENT	.5 A
CORD LENGTH	39.4 IN (1 M)
WEIGHT	4.41 LBS (2 KG)
SUCTION	1 IN NPT - MALE
DISCHARGE	1 IN NPT - MALE

ECO#	DESCRIPTION	DATE	REV. LTR.
------	-------------	------	-----------

MATERIAL SEE CHART						
GJS	04	03	05	XXX	1	
DRAWN	DAY	MO.	YR.	RELEASED	SHEET NO.	



5 Boynton Rd.  
 Hopping Brook Park  
 Holliston, MA 01746  
 (508) 429-1440

TITLE	MAG DRIVE PUMP MD-20RXT (115V)	PART OR DWG. NO. IF20566	REV. A
-------	--------------------------------	--------------------------	--------