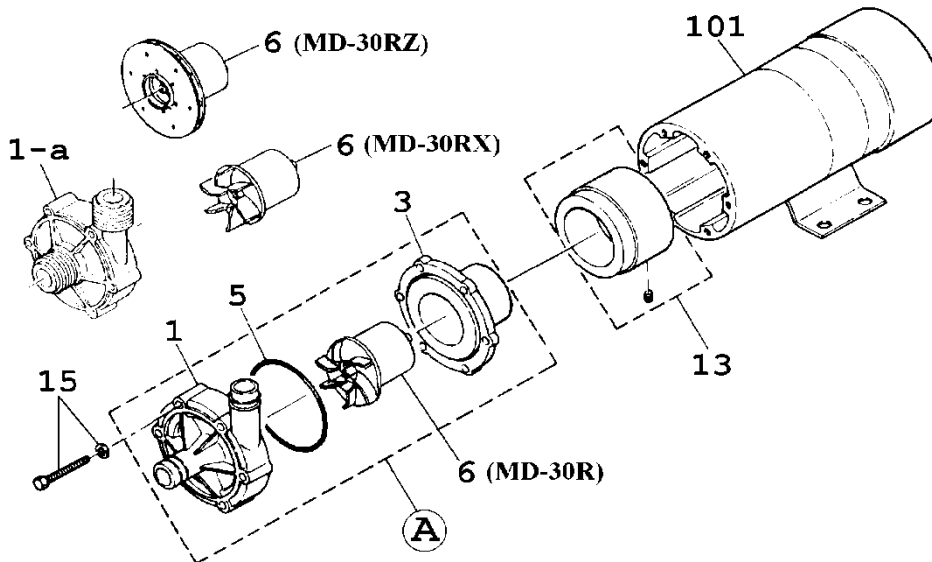




MD-30R EXPLODED  
VIEW PARTS LIST

IALT00266.A

March 2014



Item	Description	Qty	Material	MD-30R	MD-30RX	MD-30RZ	
				Part No.	Part No.	Part No.	
1	Front Casing Unit	1	GFRPP+PTFE	MD0053	MD0057	MD0029	
1-a	" 'T' "	1		MD0317	MD0318	MD0313	
1-a	" 'M' "	1		MD0054	MD0058	MD0030	
3	Rear Casing Unit	1	GFRPP+PTFE	MD0064	←		
		1				MD0502	
5	O-Ring	G-65	1	FKM	MD0059	←	
			1	EPDM	MD0060	←	
		81x1,78	1	FKM			MD0003
			1	EPDM			MD0004
6	Impeller Unit	1	GFRPP+CE+F.	MD0478	MD0063	MD0062	
13	Drive Magnet Unit	1	Aluminium+Fer.	MD0616	←	←	
15	Bolt+S.W.	M5x40	SUS304 equiv.	MD0377			
	+P.W.	M5x45			MD0477		
	Screw+W.	M4x32				MD0043	
101	Motor 'NL' 45W [AC115V]	1		1000602200	←		
		1				1000602700	
101	Motor 'N' 45W [AC220/240V]	1		MD0404	←		
		1				MD0406	
A	Wet End Set	1	with FKM	L-MD-30R	L-MD-30RX	L-MD-30RZ	
		1	with EPDM	L-MD-30RE	L-MD-30RXE	L-MD-30RZE	
A	Wet End Set 'T' Type	1	with FKM	L-MD-30RT	L-MD-30RXT	L-MD-30RZT	
		1	with EPDM	L-MD-30RTE	L-MD-30RXTE	L-MD-30RZTE	
A	Wet End Set 'M' Type	1	with FKM	L-MD-30RM	L-MD-30RXM	L-MD-30RZM	
		1	with EPDM	L-MD-30RME	L-MD-30RXME	L-MD-30RZME	

Subject to change without notice. Actual pump may differ from exploded view.