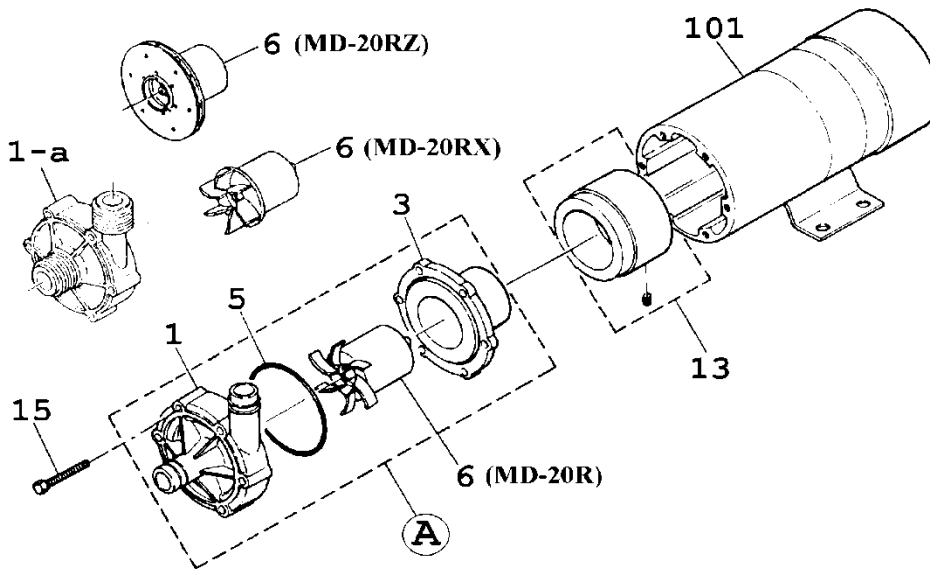




MD-20R EXPLODED
VIEW PARTS LIST

IALT00265.A

March 2014



Item	Description		Qty	Material	MD-20R	MD-20RX	MD-20RZ
					Part No.	Part No.	Part No.
1	Front Casing Unit		1	GFRPP+PTFE	MD0027	MD0031	MD0029
1-a	" 'T' "		1		MD0312	MD0314	MD0313
1-a	" 'M' "		1		MD0028	MD0032	MD0030
3	Rear Casing Unit		1	GFRPP+PTFE	MD0038	←	
			1				MD0039
5	O-Ring	AS568-037	1	FKM	MD0033	←	
			1	EPDM	MD0034	←	
		81x1,78	1	FKM			MD0003
			1	EPDM			MD0004
6	Impeller Unit		1	GFRPP+CE+F.	MD0501	MD0037	MD0036
13	Drive Magnet Unit		1	Aluminum+Fer.	MD0615	←	←
15	Screw+ SW+PW	M4x32	6	SUS304 equiv.	MD0043		MD0043
		M4x40	6			MD0045	
101	Motor 'NL' 20W [AC115V]		1		1000602100	←	
			1				1000602600
101	Motor 'N' 20W [AC220/240V]		1		MD0400	←	
			1				MD0405
A	Wet End Set		1	with FKM	L-MD-20R	L-MD-20RX	L-MD-20RZ
			1	with EPDM	L-MD-20RE	L-MD-20RXE	L-MD-20RZE
A	Wet End Set 'T' Type		1	with FKM	L-MD-20RT	L-MD-20RTX	L-MD-20RTZ
			1	with EPDM	L-MD-20RTE	L-MD-20RTXE	L-MD-20RTZE
A	Wet End Set 'M' Type		1	with FKM	L-MD-20RM	L-MD-20RMX	L-MD-20RMZ
			1	with EPDM	L-MD-20RME	L-MD-20RMXE	L-MD-20RMZE

Subject to change without notice. Actual pump may differ from exploded view.