

Magnetic Drive Pump



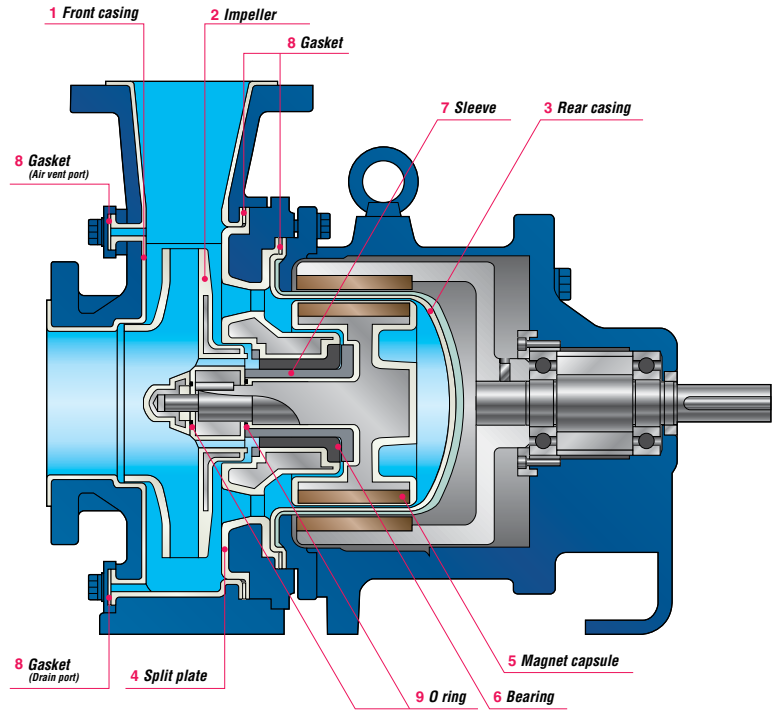
The MDW Series are the largest fluoroplastic magnetic drive pumps in the world, offering high efficiency and durability for chemical process applications.

- **High discharge capacity, High head and high efficiency** - The heavy-duty MDW is capable of a maximum discharge capacity of 5,000 L/min and max. discharge head of 98m, enabling applications in previously unexplored areas with a wide range of liquid specific gravities.
- **Highly chemically resistant** - Fluoroplastic and fine ceramic wetted parts offer high resistance to virtually every industrial chemical, irrespective of concentration.
- **Robust structure** - Use of the high strength ductile cast iron external armour is mandatory for heavy duty chemical process applications. High casing pressure resistance is achieved with a unique rear casing design preventing stress concentration and incorporating a triple-layer structure (PAT). A special metal shaft is used on the MDW to withstand high radial forces and allow continuous extended operation even under harsh service conditions.
- **Back pullout system** - The back pullout system allows easy maintenance and inspection without removing pipework. Integrated components and a sealed rear casing support structure enable motor removal safely without chemical leakage.
- **ISO compliant** - The MDW is dimensionally compliant with the international standard (ISO2858, 3661) and is interchangeable with conventional sealed centrifugal pumps.



Wet-end materials

Part	Name	MDW50	MDW80,100
1	Front casing	PFA	ETFE
2	Impeller	PFA	CFRETFE
3	Rear casing	PFA	
4	Split plate	PFA	
5	Magnet capsule	PFA	
6	Bearing	SiC	
7	Sleeve	SiC	
8	Gasket	PTFE	
9	O-Ring	Kalrez®	



Model Identification

MDW 100 - 200 E K Z C 750 J - D 2

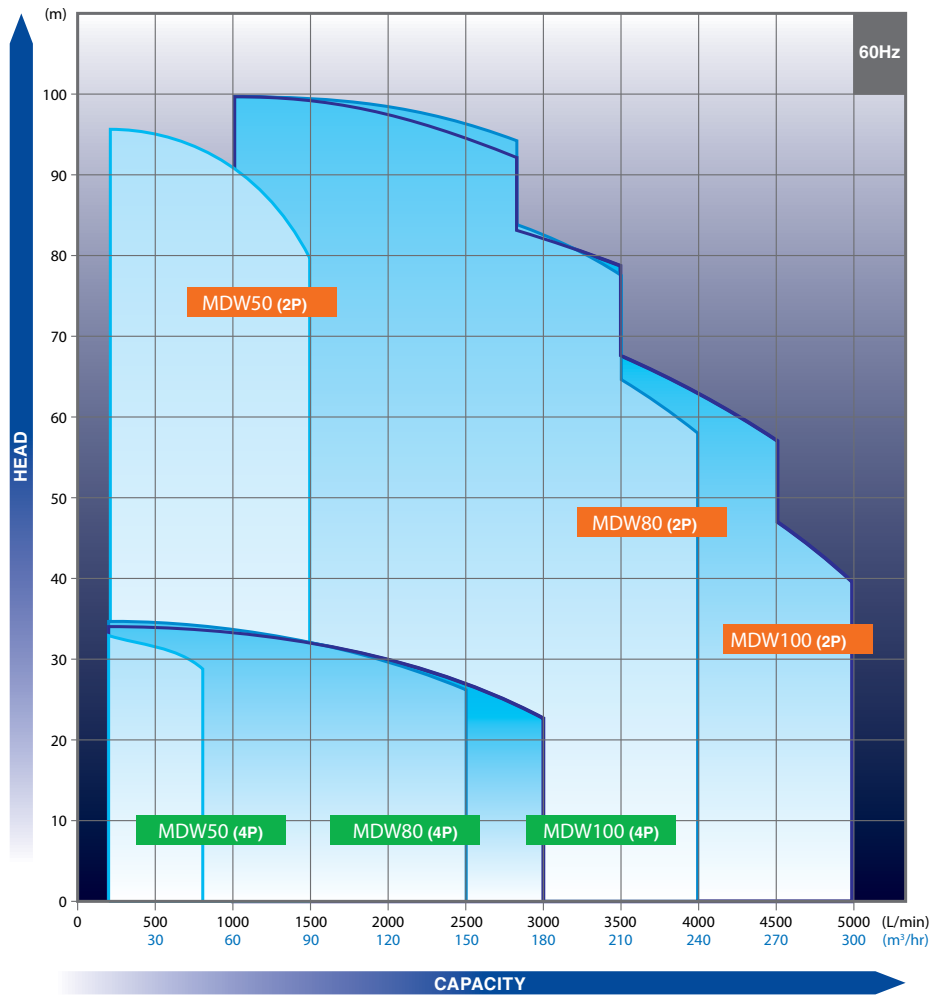
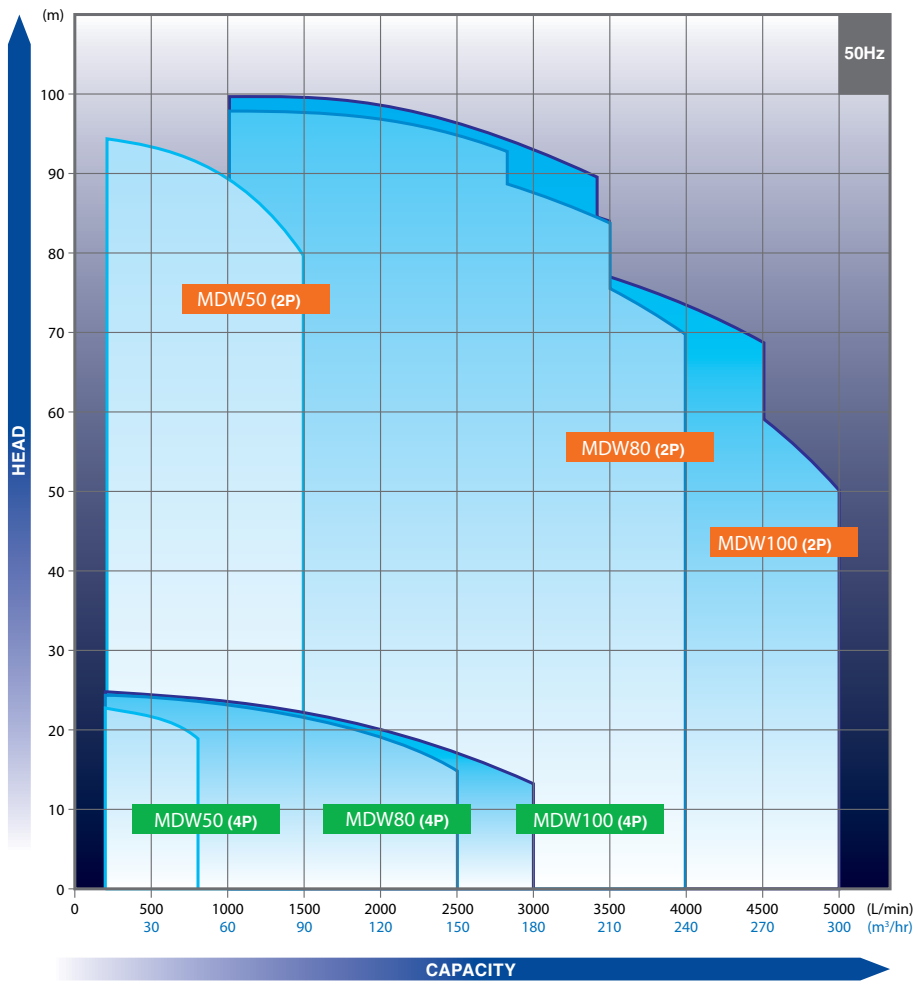
- Pump size**
50: 80mm x 50mm
80: 125mm x 80mm
100: 125mm x 100mm
- Nominal impeller size**
170 to 260
- Wet-end main material**
E: ETFE, CFRETFE, PFA
P: PFA
- Motor poles**
2: 2P
4: 4P
- Material of Bearing/Sleeve**
K: SiC
- Material of O-ring**
Z: Kalrez®
- Type of motor**
C: Foot mounted type motor
- Motor output**
110 to 750: 11kW to 75kW
- Pump standard**
J: JIS flange
A: ANSI flange
- Special version**
A: Without drain + With base, coupling, coupling cover
S: Without drain + With base, coupling, coupling cover + Special version
D: With drain + With base, coupling, coupling cover
X: With drain + With base, coupling, coupling cover + Special version
B: Without drain + Without base, coupling, coupling cover
Y: Without drain + Without base, coupling, coupling cover + Special version
E: With drain + Without base, coupling, coupling cover
Z: With drain + Without base, coupling, coupling cover + Special version

Specifications

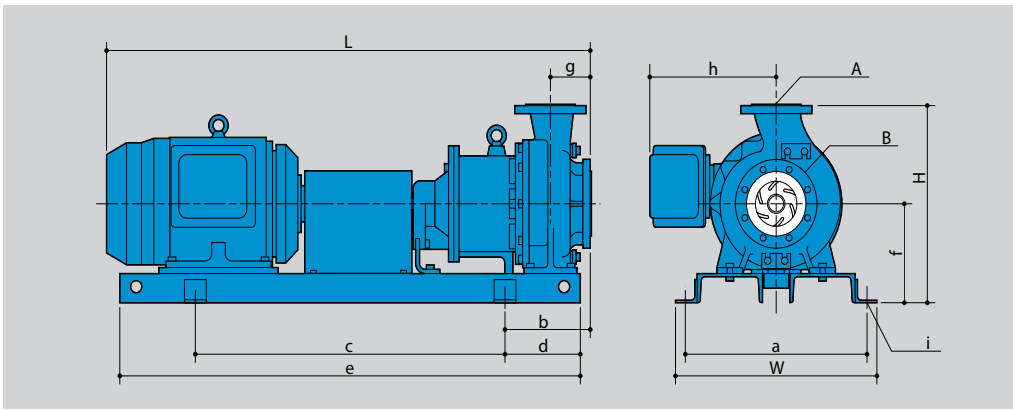
50/60 Hz

Model	Pump Size (mm)		Nominal Impeller Size	Capacity		Head (m)	Motor (kw)	
	Suction	Discharge		L/min	m³/hr			
MDW-50	80	50	250/220	833/1000	50/60	83/93	2P	22, 30, 37, 45, 55, 75
			250/260	417/500	25/30	21.5/31	4P	11, 15, 18.5, 22, 30, 37
MDW-80	125	80	250/220	2667/2000	160/120	90/99	2P	37, 45, 55, 75
			255/255	1333/2000	80/120	23/30	4P	11, 15, 18.5, 22, 30, 37
MDW-100	125	100	200/200	3333/2000	200/120	62/97	2P	37, 45, 55, 75
			235/235	1667/2000	100/120	21.5/30	4P	11, 15, 18.5, 22, 30, 37

MDW series



Dimensions



Model	Motor output (kW)	W	H	L*	a	b	c	d	e	f	g	h	i	A	B	Mass (kg)												
MDW50	2P	22	(540)	(485)	(1397)	500	(255)	840	205	1250	260	125	(380)	4xø23	50A	80A	420											
		30		(1435)	430																							
		37	(610)	(505)	(1495)												550	(280)	940	230	1400	280	300	(425)	4xø27	50A	80A	530
		45		(1508)	545																							
		55		(1645)	580																							
	75	(660)	---	(1645)	600	(320)	1060	270	1600	330	---	---	---	---	---	---	735											
	4P	11	(540)	(485)	(1350)	500	(255)	840	205	1250	260	125	(259)	4xø23	50A	80A	320											
		15			(1397)												335											
		18.5			(1397)												395											
		22			(1435)												405											
30		(1435)			435																							
37		(610)	(505)	(1525)	550												(280)	940	230	1400	280	(400)	4xø27	540				
MDW80	2P	37	(610)	(580)	(1535)	550	(265)	940	230	1400	300	125	(400)	4xø27	80A	125A	515											
		45			(1548)												530											
		55			(1685)												570											
		75			(660)												---	790										
	4P	11	(540)	(580)	(1390)	500	(240)	840	205	1250	300	125	(380)	4xø23	80A	125A	335											
		15			(1437)												350											
		18.5			(1475)												415											
		22			(1565)												425											
		30			(610)												---	465										
		37	(610)	(560)	(1565)												550	(265)	940	230	1400	---	(400)	4xø27	520			
MDW100	2P	37	(610)	(560)	(1535)	550	(265)	940	230	1400	280	125	(400)	4xø27	100A	125A	510											
		45		(1548)	530																							
		55		(1685)	620																							
		75		(660)	---												760											
	4P	11	(540)	(560)	(1390)	500	(240)	840	205	1250	280	125	(259)	4xø23	100A	125A	340											
		15			(1437)												355											
		18.5			(1475)												420											
		22			(1565)												430											
		30			(610)												(560)	---	470									
		37	(610)	(560)	(1565)												550	(265)	940	230	1400	(400)	4xø27	515				

* Based on motor manufacturer



IALT00228.B August 2015

www.IwakiAmerica.com • www.IwakiCustomPumps.com

