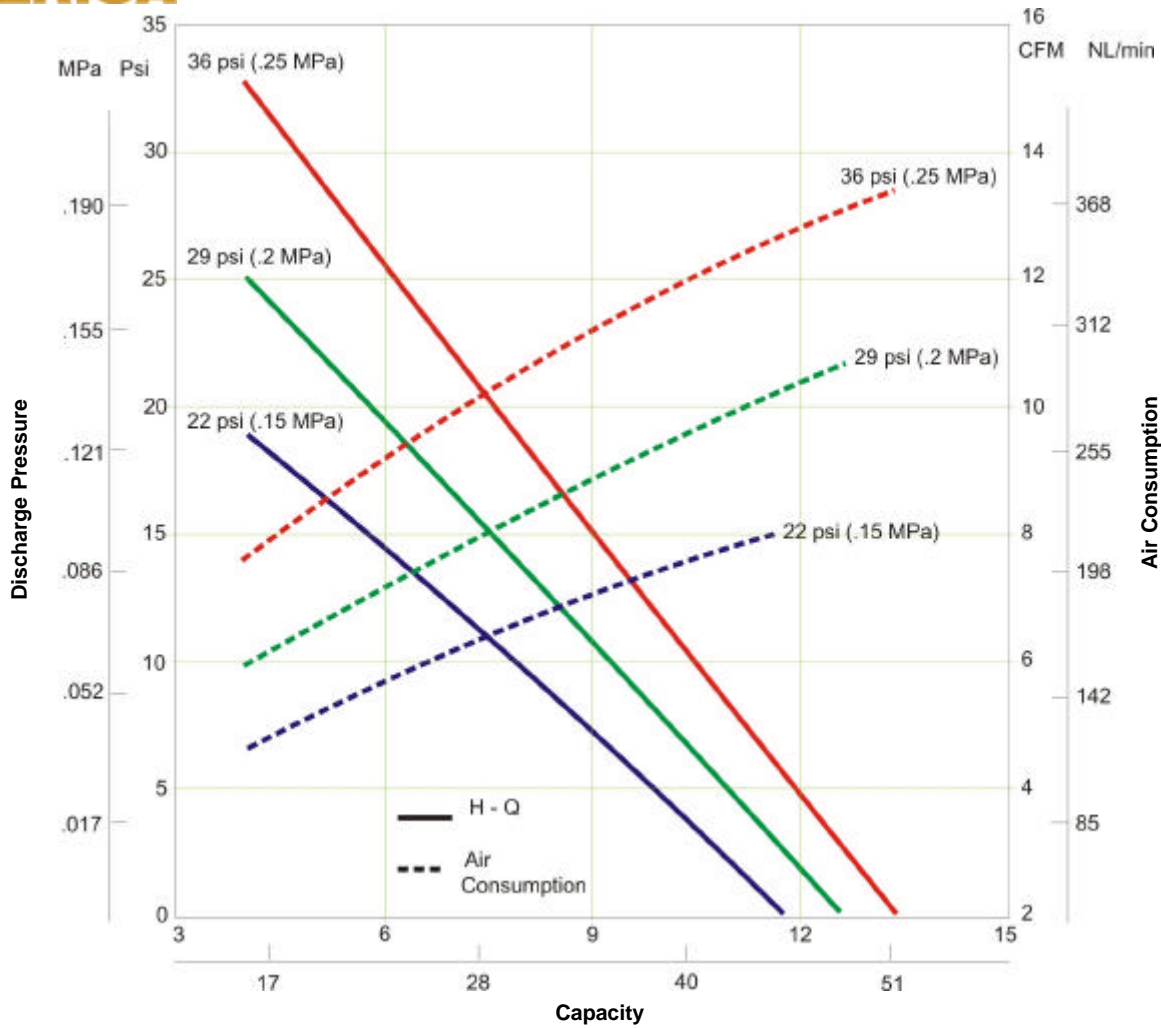
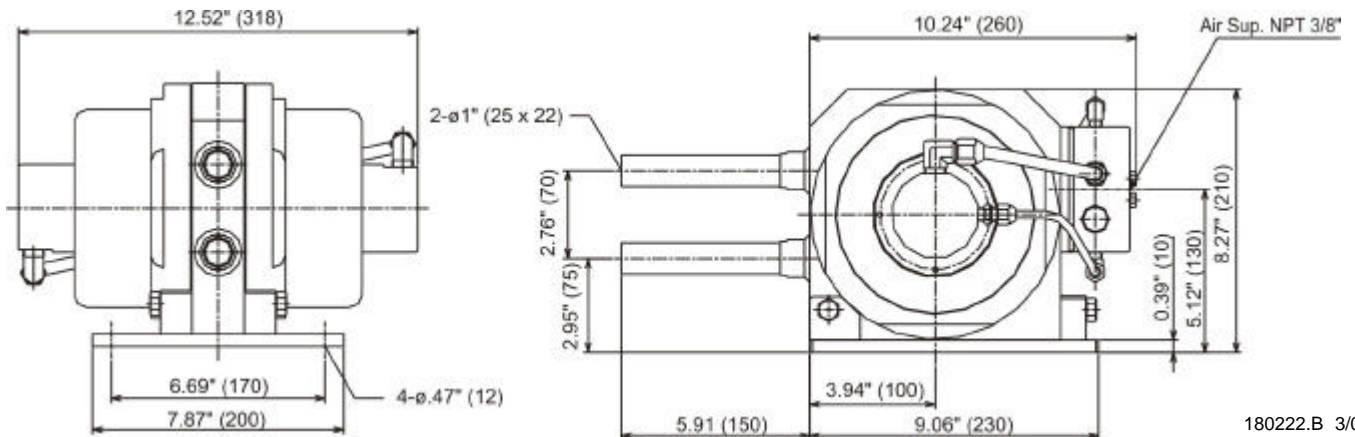


# FN-40 Specifications



| Model | Max Discharge Capacity | Max Air Supply Pressure | Liquid Temp Range  | Max Air Consumption | Max Stroke Speed | Pump Connection Size | Supply Air Connection | Ambient Temp       | Drive System               | Self Priming Ability | Wetted Materials |
|-------|------------------------|-------------------------|--------------------|---------------------|------------------|----------------------|-----------------------|--------------------|----------------------------|----------------------|------------------|
| FN-40 | 11.89 GPM (45 L/min)   | 36 PSI (.25 MPa)        | 41-212°F (5-100°C) | 380 NL/min          | 480 SPM          | 1" tube PFA          | 3/8" NPT              | 50-104°F (10-40°C) | All air externally changed | Yes (2 meters)       | PTFE & PFA       |

## Dimensions in inches (mm)



180222.B 3/05