

# Standard Product Capabilities

Pump solutions from a World Leader

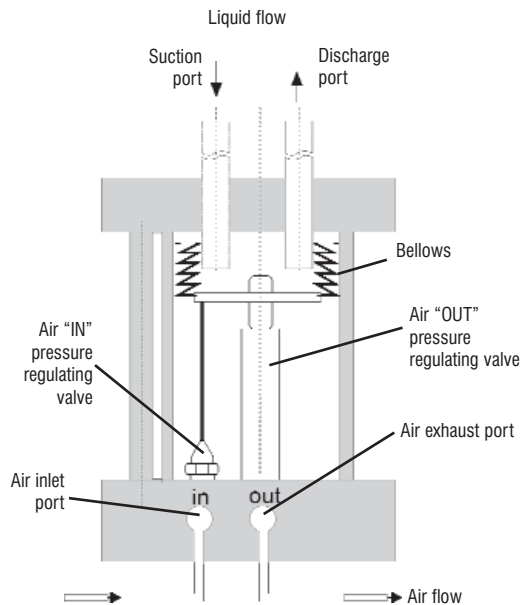


## Pulsation Dampeners

Ensure consist quality

Iwaki America's automatic pulsation dampeners ensure consistent quality of the bath and increased longevity of your system by reducing the effects of pulsation and pressure variation. Suppressing vibration throughout the recirculation loop puts less pressure on the pump, eases filter loading (and premature need for change-out) and reduces downtime ordinarily spent maintaining each separate component.

The PDA series of dampeners are available in three sizes that encompass a wide range of flow volumes and pressure requirements. The operating temperature range is 20° to 180°C and the PTFE/PFA wet end construction enables these dampeners to be installed in the most demanding environments.

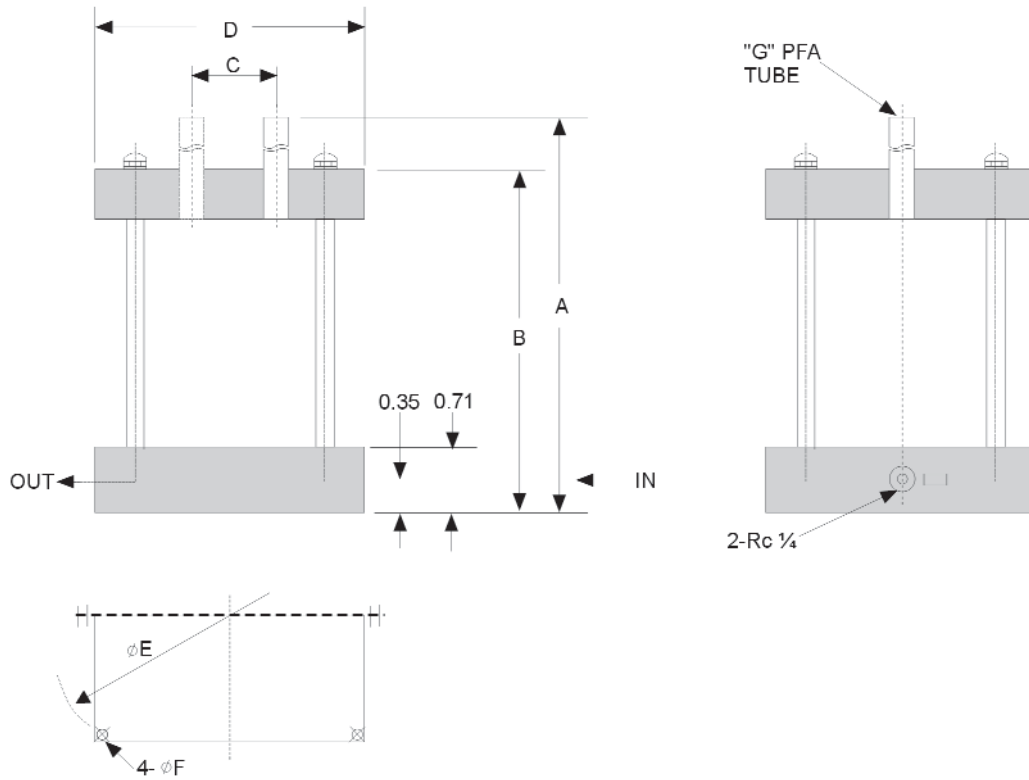


Model	PDA-10H	PDA-20H	PDA-40H
Applicable Pumps	FA-2 FF-10H FF-10BT1	FS-15 FF-20H FF-20BT1	FS-30 FA-40VE FF-40H FF-40BT1
Liquid Temperature Range	68° to 356°F (20°C to 180°C)		
Max. Enclosed Air Pressure	42.7 psi (0.3 MPa)	42.7 psi (0.3 MPa)	56.9 psi (0.4 MPa)
Pulsation Pressure Range	5.6 psi (0.04 MPa)		
Pump Connection Size	PFA 1/2" Tube	PFA 3/4" Tube	PFA 1" Tube
Supply Air Connection Size*	PT 1/4"		
Wet End Material	PTFE / PFA		

\* Note: NPT conversion fittings are available

*Think twice. Spec Once.*





**Dimensions in inches (mm)**

Model	A	B	C	D	E	F
PDA-10H	8.5 (215)	4.53 (115)	1.57 (40)	4.49 (114)	5.67 (144)	0.28 (7)
PDA-20H	9.1 (233)	5.24 (133)	1.97 (50)	5.67 (144)	7.13 (181)	0.35 (9)
PDA-40H	12.0 (305)	8.07 (205)	2.36 (60)	6.30 (160)	7.87 (200)	0.35 (9)
PDA-60H	13.2 (334)	9.21 (234)	2.20 (56)	7.48 (190)	7.48 (190)	0.51 (13)

