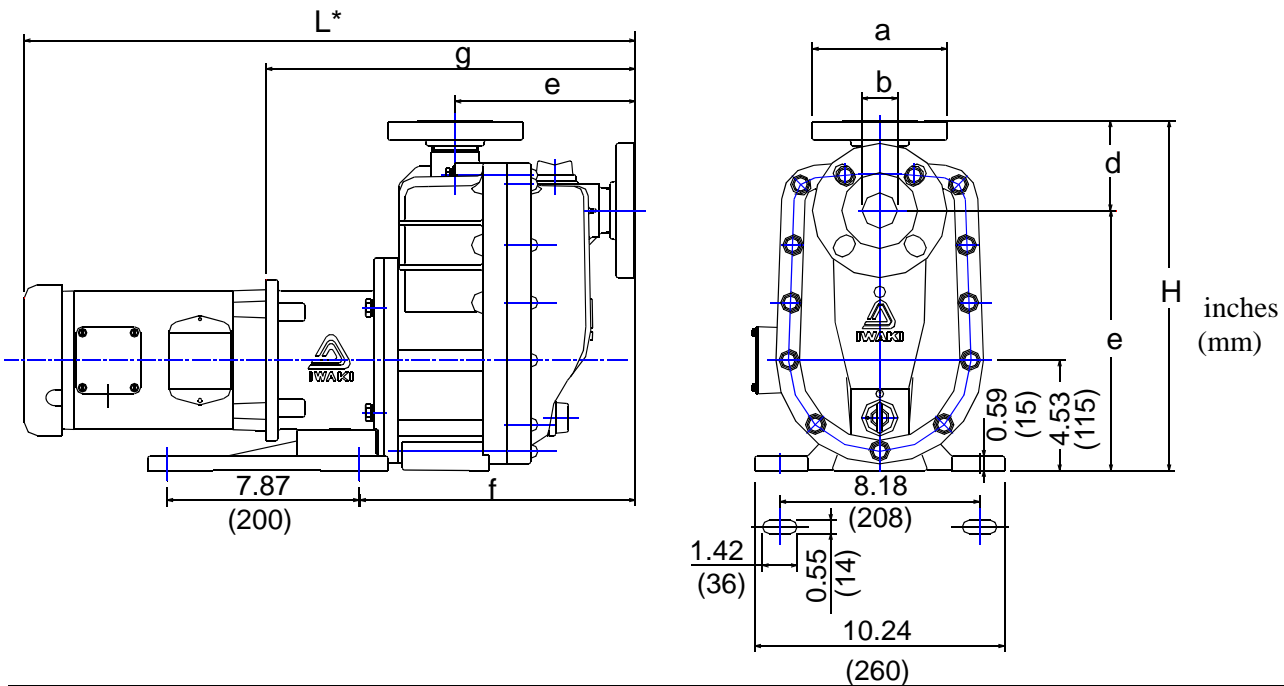




SMX-(F) Weights and Dimensions

Pump Weight without motor:

SMX-(F)220	28.7 lbs (13 kg)
SMX-(F)221	34.2 lbs (15.5 kg)
SMX-(F)222/441	35.3 lbs (16 kg)
SMX-(F)442/443	36.4 lbs (16.5 kg)
SMX-(F)543	61.8 lbs (28 kg)
SMX-(F)545	79.4 lbs (36 kg)



Model	a	b	c	d	e	f	g	H	L*	HP/Frame
SMX-(F)220	4.92 (125)	.98 (25)	6.38 (162)	2.91 (74)	10.04 (255)	9.45 (240)	12.13 (308)	12.95 (329)	21.22 (539)	0.5/56C
SMX-(F)221	4.92 (125)	.98 (25)	6.38 (162)	2.91 (74)	10.04 (255)	9.45 (240)	12.60 (320)	12.95 (329)	21.77 (553)	1.0/56C
SMX-(F)222	4.92 (125)	.98 (25)	6.38 (162)	2.91 (74)	10.04 (255)	9.45 (240)	13.07 (332)	12.95 (329)	23.89 (607)	2.0/145TC
SMX-(F)441	5.51 (140)	1.57 (40)	7.40 (188)	3.66 (93)	10.67 (271)	11.22 (285)	14.41 (366)	14.33 (364)	23.58 (599)	1.0/56C
SMX-(F)442	5.51 (140)	1.57 (40)	7.40 (188)	3.66 (93)	10.67 (271)	11.22 (285)	14.88 (378)	14.33 (364)	25.69 (652)	2.0/145TC
SMX-(F)443	5.51 (140)	1.57 (40)	7.40 (188)	3.66 (93)	10.67 (271)	11.22 (285)	14.88 (378)	14.33 (364)	25.69 (652)	3.0/145TC

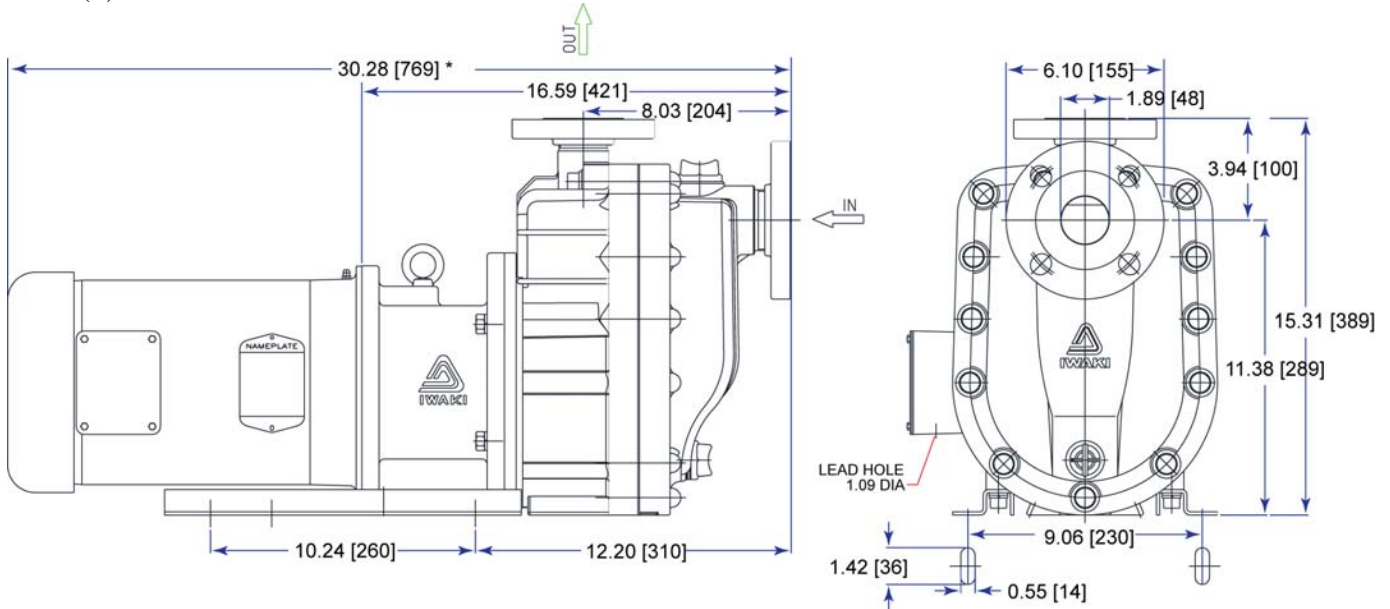
* Varies according to motor manufacturer.



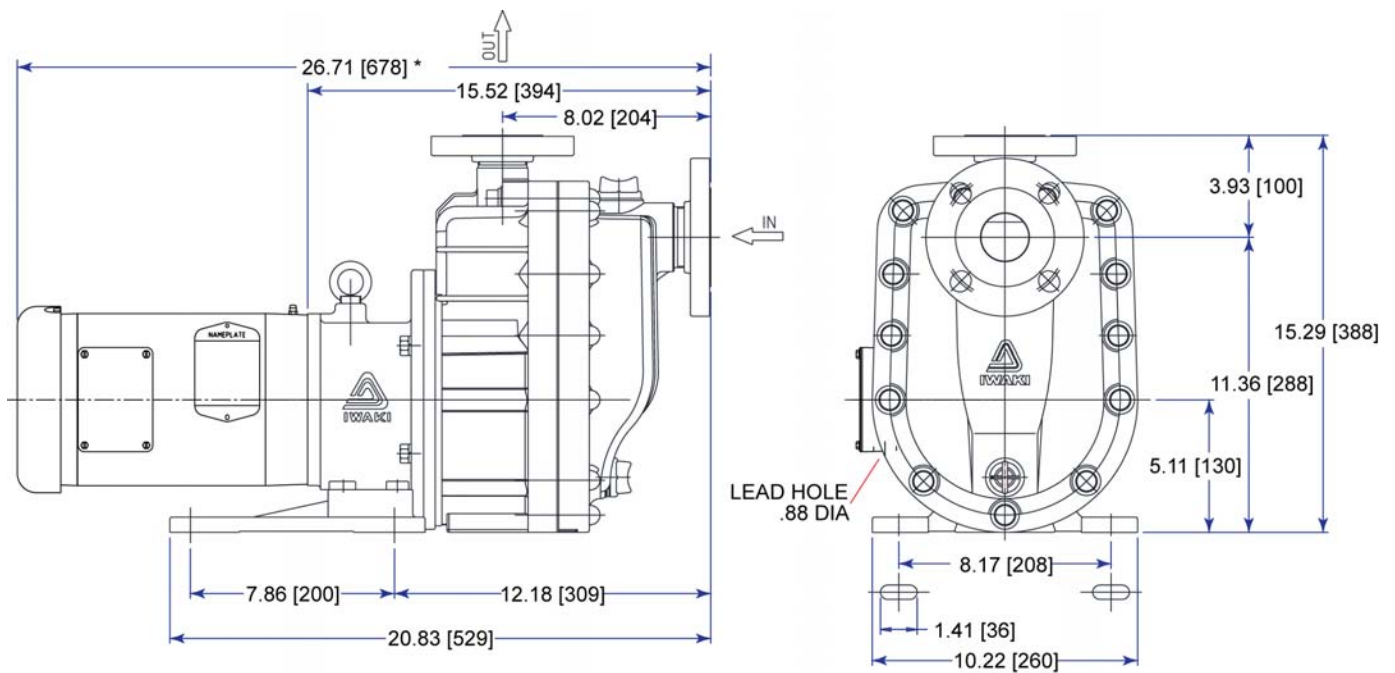
IALT-00020.C



SMX-(F)545 Dimensions



SMX-(F)54_ Dimensions



*Varies with motor manufacturer

