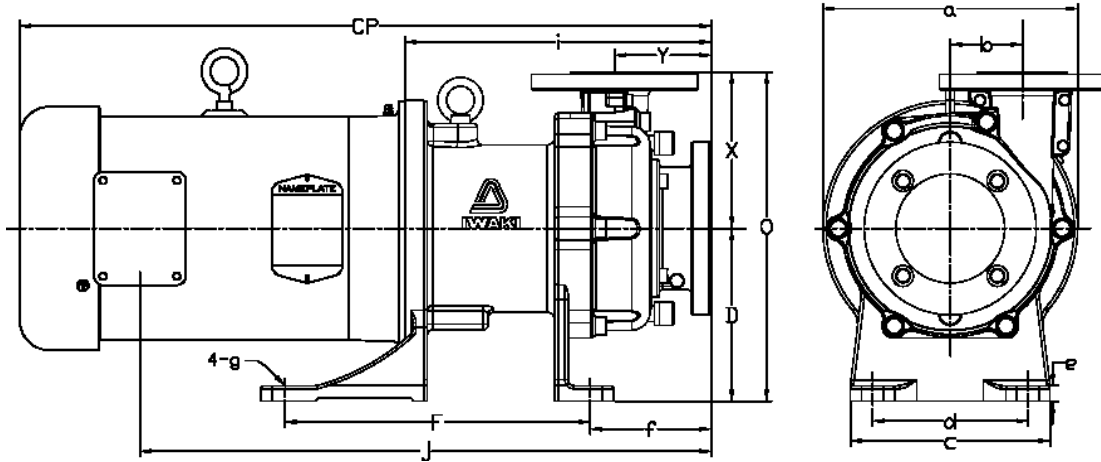


MXM Dimensions and Weights



Dimensions in inches (mm)

Model	a	b	c	d	D	e	f	F	g	i	J	O	X	Y	CP*
MXM 22	7.87 (199.9)	2.01 (51.1)	5.91 (150.1)	4.33 (109.9)	4.53 (115.0)	0.39 (9.9)	3.74 (95.0)	6.50 (165.1)	0.47 (11.9)	9.98 (253.5)	15.80 (401.3)	9.33 (237.0)	4.80 (121.9)	3.46 (87.9)	19.27 (489.5)
MXM 441	8.54 (216.9)	2.26 (57.4)	6.69 (169.9)	5.12 (130.0)	5.31 (134.9)	0.55 (14.0)	4.43 (112.5)	9.84 (249.9)	0.55 (14.0)	10.55 (268.0)	17.0 (431.8)	10.83 (275.1)	5.51 (140.0)	4.17 (105.9)	19.84 (503.9)
MXM-442											18.0 (457.2)				21.73 (551.9)
MXM-542	9.04 (229.6)	2.56 (65.0)	7.09 (180.1)	5.51 (140.0)	6.10 (154.9)	0.55 (14.0)	4.29 (109.0)	10.83 (275.1)	0.55 (14.0)	11.46 (291.8)	17.92 (455.2)	11.61 (274.9)	5.51 (140.0)	3.43 (87.1)	21.90 (556.3)
MXM-543										10.87 (276.1)	20.27 (514.9)				24.70 (627.4)
MXM-545															

* Varies according to motor manufacturer.