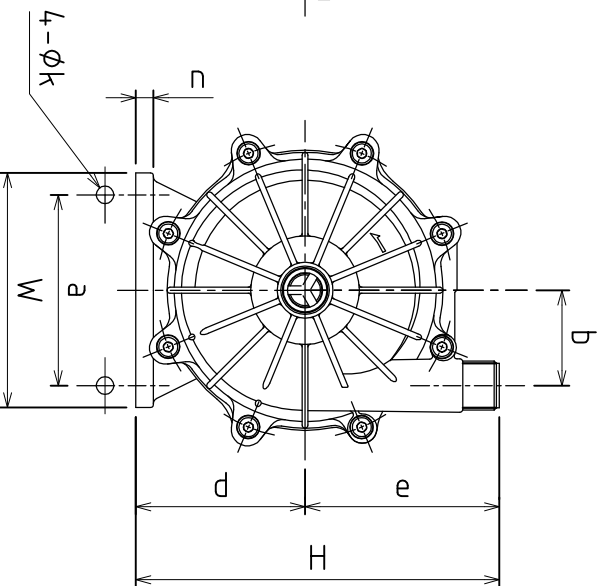
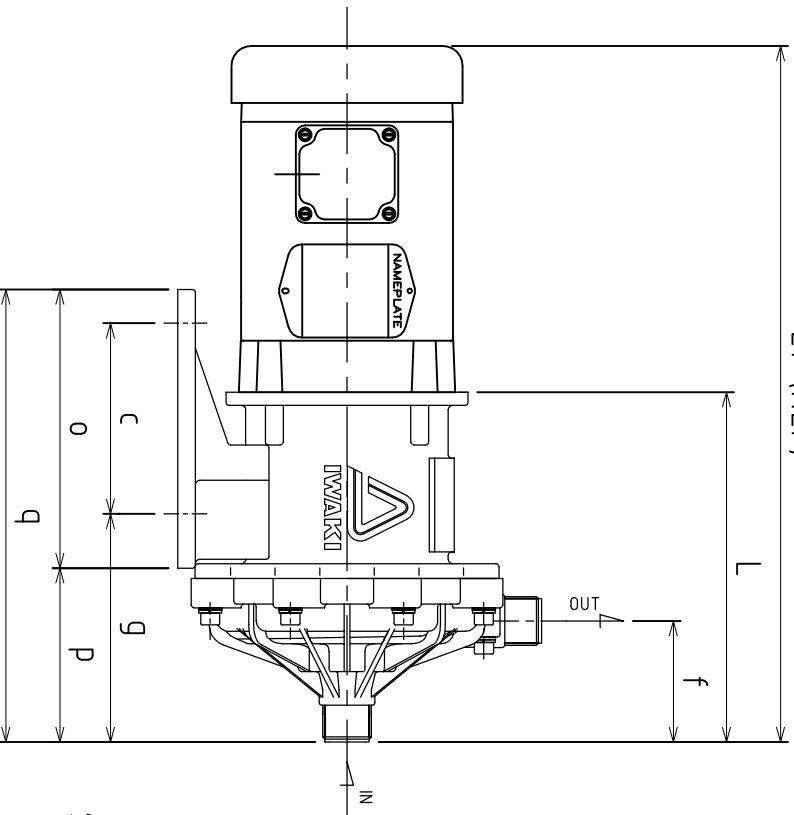


- NOTES:  
 1) SHAPE OF PRODUCT ON DRAWING MAY DIFFER FROM ACTUAL PRODUCT ON SOME POINTS.  
 2) SOME DIMENSIONS MAY VARY.  
 3) FLANGES AVAILABLE UPON REQUEST.  
 4) PUMP DRAWN FROM 22B402547 & 22B402548.

Lt (REF)



MODEL	SUCTION	DISCHARGE															
MX-(F)250	1" MNPT	1" MNPT															
MX-(F)251	1" MNPT	1" MNPT															
MODEL	HP/FRAME	W	H	L	Lt (REF)												
MX-(F)250	.5 / 56C	6.30	9.75	9.39	18.68												
MX-(F)251	1 / 56C	6.30	9.75	9.39	18.68												
MODEL	a	b	c	d	e	f	g	h	i	j	k	l	m	n	o	p	q
MX-(F)250	5.12	2.56	5.12	4.53	5.22	3.25	6.12	.47	.47	7.48	4.67	12.15					
MX-(F)251	5.12	2.56	5.12	4.53	5.22	3.25	6.12	.47	.47	7.48	4.67	12.15					

REVISIONS			
REV	DESCRIPTION	DATE	APPROVED
A	NEW DOCUMENT	12/15/2003	CJC
B	10739: INCLUDE NEW PRODUCT, MX-F251	9/16/2008	JTS

<b>TOLERANCES</b> <small>DIMENSIONS IN INCHES (MM)</small> <small>UNLESS OTHERWISE NOTED</small> <small>X = .050</small> <small>XX = .010</small> <small>XXX = .005</small>		 <b>IWAKI AMERICA</b> 5 Boynton Rd. Hopping Brook Park Holliston, MA 01746 (508) 429-1440 <a href="http://www.IwakiAmerica.com">www.IwakiAmerica.com</a>	
<small>DEBURR AND BREAK ALL SHARP EDGES</small> SIZE A SCALE: FULL	DWG NO. IF20495 THIRD ANGLE PROJECTION	DESCRIPTION MX-(F)250/251, 5/1 HP, 56C FRAME	REV B SHEET: 1 OF 1