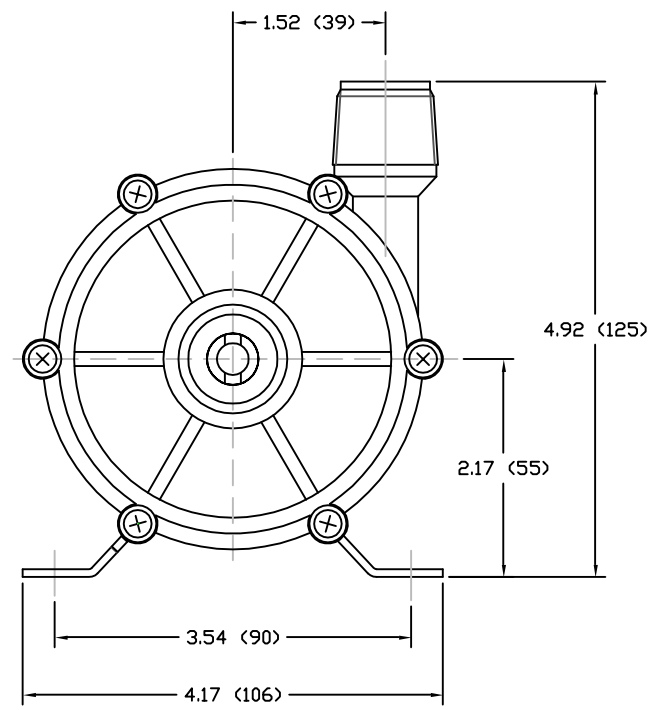
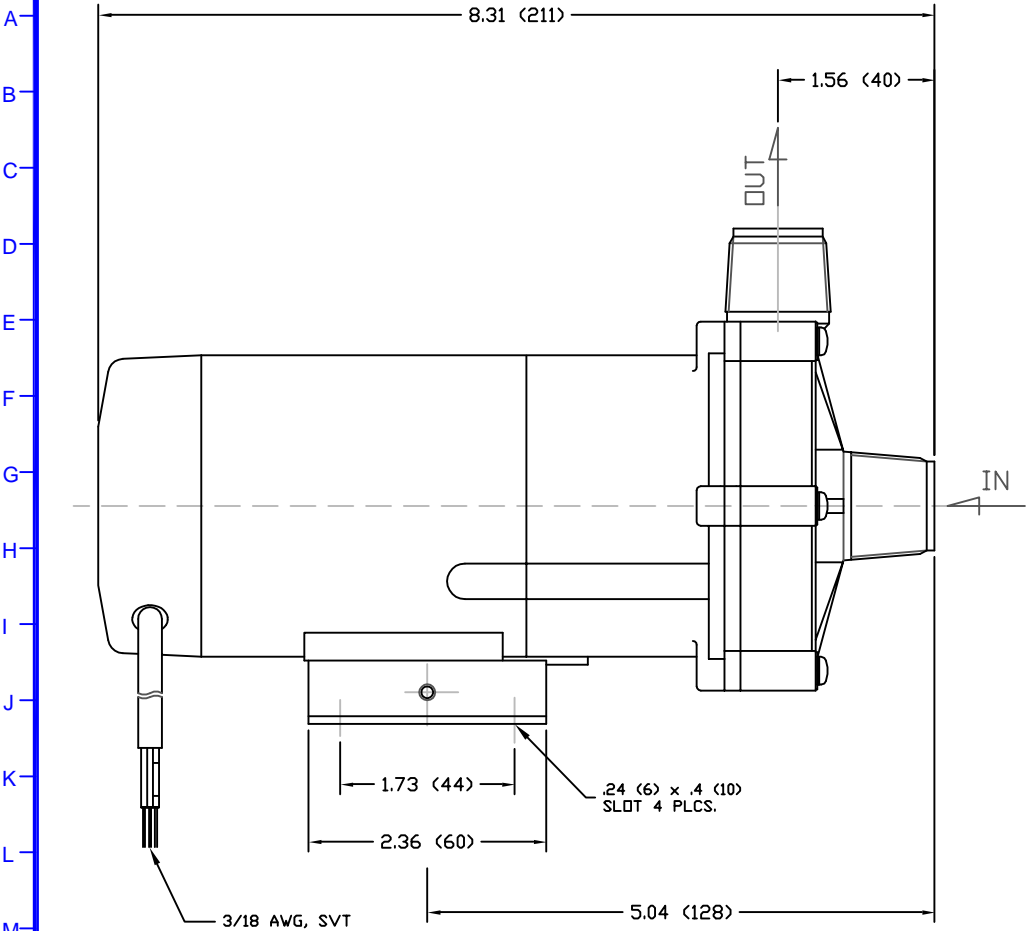


1 2 3 4 5 6 7 8 9 10 11 12 13 14 15 16 17 18 19 20 21 22 23 24 25

PART OR DRAWING NO. IF20567 REV. A



- NOTES:
 1. DRAWING MAY VARY FROM ACTUAL PRODUCT
 2. DRAWN FROM 22000405 TO SCALE.
 3. REFER TO SPECIFICATION C910698.
 4. DIMENSIONS ARE IN INCHES (MM).

SPECIFICATIONS	
MAX CAPACITY	2.9 GPM (11 LPM)
MAX HEAD	22.6 FT (6.9 M)
MAWP	14.22 PSI (0.1 MPA)
VOLTAGE	115 VAC
CURRENT	.53 A
CORD LENGTH	39.4 IN (1 M)
WEIGHT	4.41 LBS (2 KG)
SUCTION	3/4 IN NPT - MALE
DISCHARGE	3/4 IN NPT - MALE

MATERIALS

CASING	GFRPP
IMPELLER	GFRPP
SPINDLE	ALUMINA CERAMIC
BEARING	PTFE
THRUST RING	ALUMINA CERAMIC
O-RING	FKM

ECO#	DESCRIPTION	DATE	REV. LTR.
MATERIAL SEE CHART			
GJS	04 03 05	GJS	1
DRAWN	DAY MO. YR.	RELEASED	SHEET NO.
		5 Boynton Rd. Hopping Brook Park Holliston, MA 01746 (508) 429-1440 www.IwakiAmerica.com	
TITLE		MAG DRIVE PUMP MD-20RZT (115V)	

PART OR DWG. NO. IF20567

REV. A