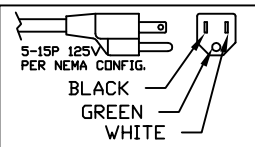
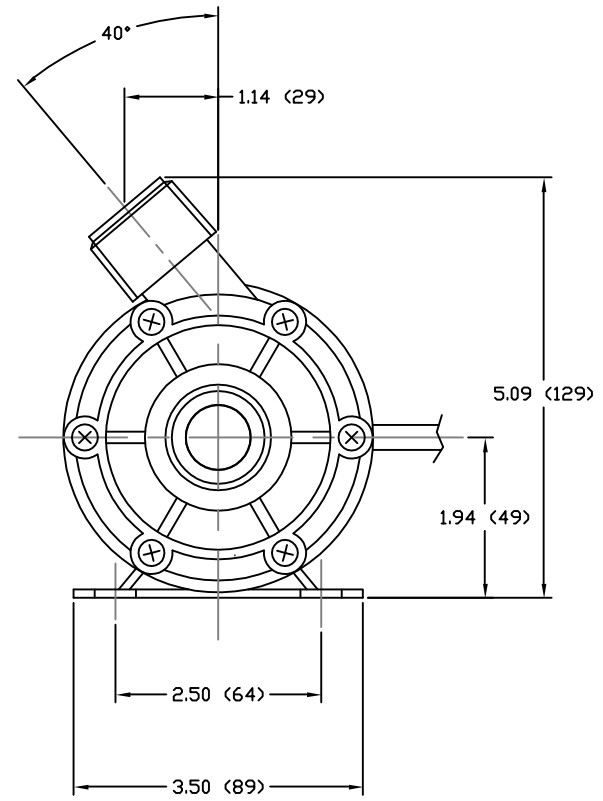
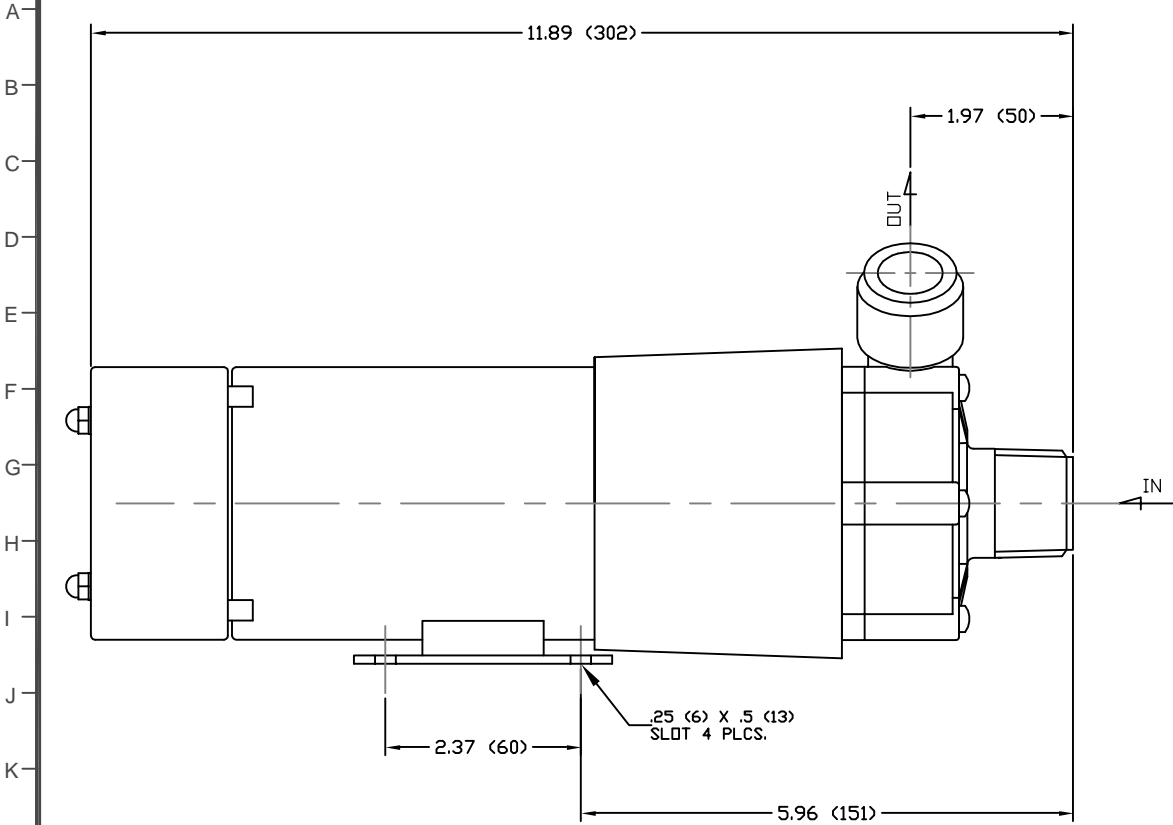


PART OR DRAWING NO. IF20601 REV. A



- NOTES:  
 1. DRAWING MAY VARY FROM ACTUAL PRODUCT.  
 2. DRAWN TO SCALE PER 2Z000410.  
 3. REFER TO DRAWING 54210 & 54220.  
 4. DIMENSIONS ARE IN INCHES (MM)

MATERIALS

CASING	GFRPP
IMPELLER	GFRPP
SPINDLE	ALUMINA CERAMIC
BEARING	PTFE
THRUST RING	ALUMINA CERAMIC
O-RING	FKM

SPECIFICATIONS

MAX CAPACITY	19 GPM (72 LPM)
MAX HEAD	13.5 FT (4.11 M)
MAWP	8.54 PSI (.06 MPA)
VOLTAGE	115 VAC
CURRENT	1.0 A
CORD LENGTH	72 IN ± 2 IN (1.83 M ± .05 M)
WEIGHT	9 LBS (4.08 KG)
SUCTION	1 IN NPT - MALE
DISCHARGE	1 IN NPT - MALE

ECO#	DESCRIPTION	DATE	REV. LTR.
MATERIAL SEE CHART			
GJS	06 04 05	XXX	1
DRAWN	DAY	MO.	YR.
RELEASED		SHEET NO.	
		5 Boynton Rd. Hopping Brook Park Holliston, MA 01746 (508) 429-1440 www.IwakiAmerica.com	
TITLE			REV.
MAG DRIVE PUMP			A
WMD-30RLXT (115V)			

PART OR DWG. NO. IF20601