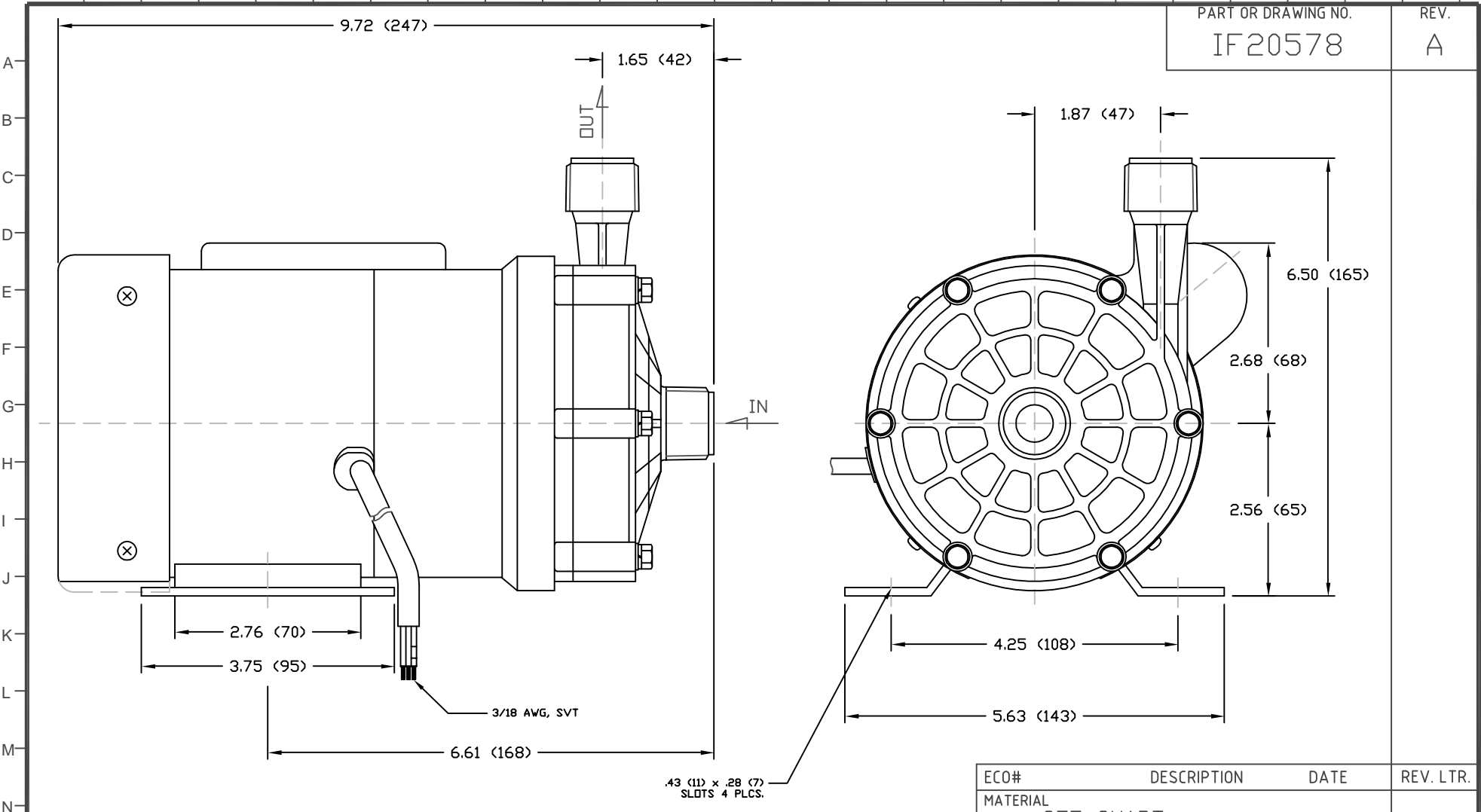


1 2 3 4 5 6 7 8 9 10 11 12 13 14 15 16 17 18 19 20 21 22 23 24 25


PART OR DRAWING NO. IF20578 REV. A



- NOTES:  
 1. DRAWING MAY VARY FROM ACTUAL PRODUCT  
 2. DRAWN FROM 22000374 TO SCALE.  
 3. REFER TO SPECIFICATION 2H027.  
 4. DIMENSIONS ARE IN INCHES (MM).

SPECIFICATIONS	
MAX CAPACITY	11.4 GPM (43 LPM)
MAX HEAD	66.6 FT (20.3 M)
MAWP	42.7 PSI (.29 MPA)
VOLTAGE	115 VAC
CURRENT	3.8 A
CORD LENGTH	39.4 IN (1 M)
WEIGHT	13.2 LBS (6 KG)
SUCTION	3/4 IN NPT - MALE
DISCHARGE	3/4 IN NPT - MALE

MATERIALS	
CASING	GFRPP
IMPELLER	CFRPP
SPINDLE	ALUMINA CERAMIC
BEARING	PPS
THRUST RING	ALUMICA CERAMIC
O-RING	FKM

ECO#	DESCRIPTION	DATE	REV. LTR.
MATERIAL SEE CHART			
GJS	04 03 05	XXX	1
DRAWN	DAY	MO.	YR.
RELEASED		SHEET NO.	
 www.IwakiAmerica.com		5 Boynton Rd. Hopping Brook Park Holliston, MA 01746 (508) 429-1440	
TITLE			
MAG DRIVE PUMP			
MD-70RLZT (115V)			

PART OR DWG. NO. IF20578 REV. A