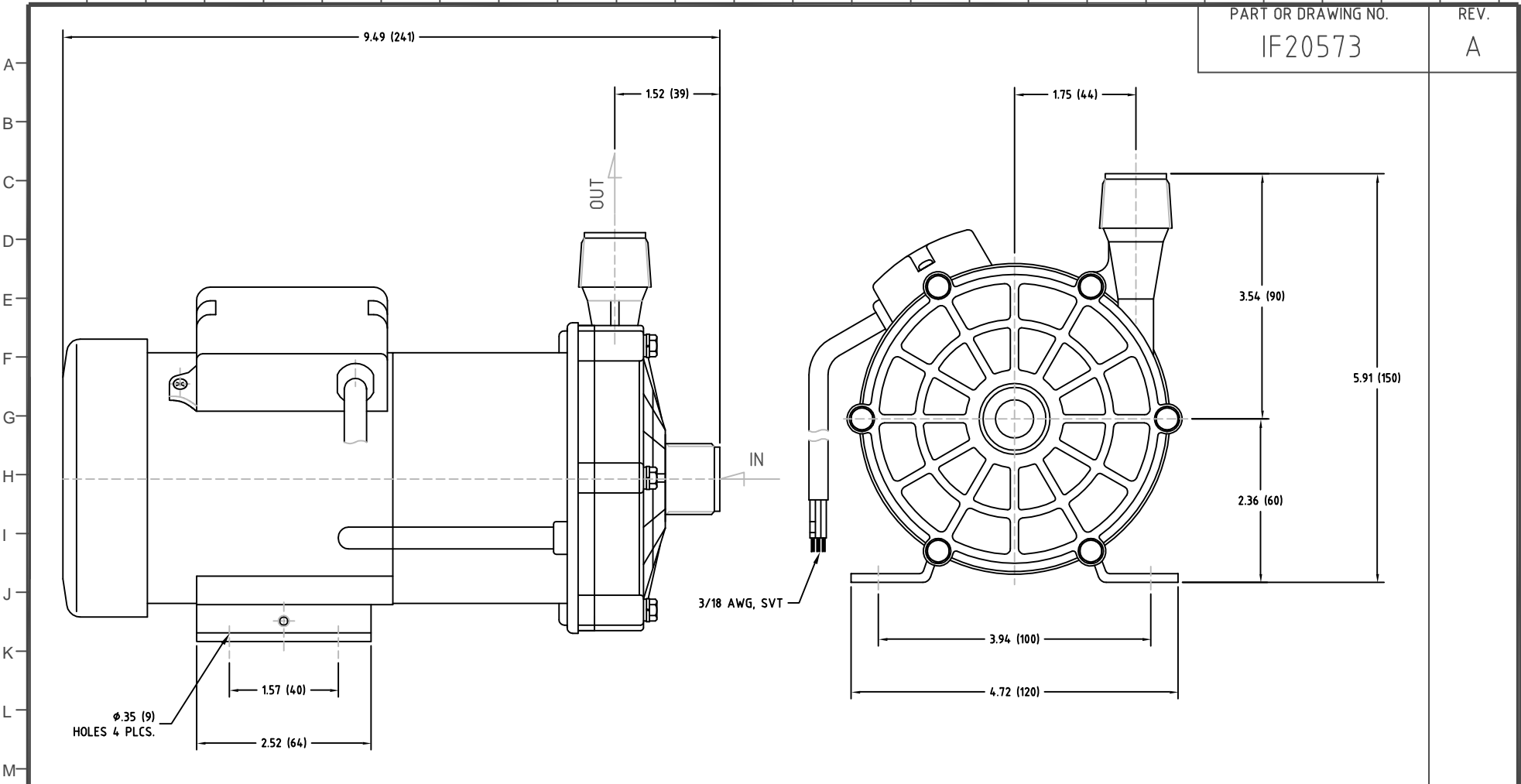


1 2 3 4 5 6 7 8 9 10 11 12 13 14 15 16 17 18 19 20 21 22 23 24 25

PART OR DRAWING NO.  
IF20573  
REV.  
A




φ.35 (9)  
HOLES 4 PLCS.

- NOTES:  
 1. DRAWING MAY VARY FROM ACTUAL PRODUCT  
 2. DRAWN FROM 2B310511 TO SCALE.  
 3. REFER TO SPECIFICATION 2H672.  
 4. DIMENSIONS ARE IN INCHES (MM).

SPECIFICATIONS	
MAX CAPACITY	5.8 GPM (22 LPM)
MAX HEAD	44.3 FT (13.5 M)
MAWP	29 PSI (0.2 MPA)
VOLTAGE	115/220 VAC
CURRENT	0.85 A
CORD LENGTH	39.4 IN (1 M)
WEIGHT	8.6 LBS (3.9 KG)
SUCTION	3/4 IN NPT - MALE
DISCHARGE	3/4 IN NPT - MALE

MATERIALS	
CASING	GFRPP
IMPELLER	GFRPP
SPINDLE	ALUMINA CERAMIC
BEARING	PTFE
THRUST RING	ALUMINA CERAMIC
O-RING	FKM

ECO#	DESCRIPTION	DATE	REV. LTR.
MATERIAL SEE CHART			
GJS	04 03 05	XXX	1
DRAWN	DAY	MO.	YR.
RELEASED		SHEET NO.	
 www.IwakiAmerica.com		5 Boynton Rd. Hopping Brook Park Holliston, MA 01746 (508) 429-1440	
TITLE MAG DRIVE PUMP MD-40RZT (115/220V)			REV. A

PART OR DWG. NO.  
IF20573